

MOUNTING AND OPERATING INSTRUCTIONS



EB 5660 EN

Translation of original instructions



SAM HOME Gateway

Note on these mounting and operating instructions

These mounting and operating instructions assist you in mounting and operating the device safely. The instructions are binding for handling SAMSON devices.

- For the safe and proper use of these instructions, read them carefully and keep them for later reference.
- If you have any questions about these instructions, contact SAMSON's After-sales Service Department (aftersaleservice@samson.de).



The mounting and operating instructions for the devices are included in the scope of delivery. The latest documentation is available on our website at www.samson.de > **Service & Support** > **Downloads** > **Documentation**.

Definition of signal words

DANGER

Hazardous situations which, if not avoided, will result in death or serious injury

WARNING

Hazardous situations which, if not avoided, could result in death or serious injury

NOTICE

Property damage message or malfunction

Note

Additional information

Tip

Recommended action

1	Safety instructions and measures	1-1
1.1	Notes on possible severe personal injury	1-3
1.2	Notes on possible property damage	1-3
2	Markings on the device	2-1
2.1	Nameplate	2-1
3	Design and principle of operation	3-1
3.1	Status indication	3-1
3.2	Technical data	3-4
4	Delivery	4-1
4.1	Unpacking	4-1
4.2	Transporting and lifting	4-1
4.2.1	Transporting	4-1
4.3	Storage	4-1
5	Mounting	5-1
6	Electrical connection	6-1
7	Start-up	7-1
7.1	Setup for use with the SAM DISTRICT ENERGY web portal	7-1
7.2	Setup for use with a Modbus TCP control system or with 55HOME or 55Pro apps (server mode)	7-3
7.3	SAM Gateway configurator	7-4
8	Operation	8-1
9	Errors	9-1
10	Decommissioning	10-1
11	Removal	11-1
12	Disposal	12-1
13	Certificates	13-1
14	Annex	14-1
14.1	Accessories	14-1
14.2	After-sales service	14-1

1 Safety instructions and measures

Intended use

The SAM HOME Gateway allows wired communication (Ethernet) to the SAM DISTRICT ENERGY web portal.

The gateway is designed to operate under exactly defined conditions (e.g. supply voltage, temperature). Therefore, operators must ensure that the device is only used in operating conditions that meet the specifications used for sizing the device at the ordering stage.

SAMSON does not assume any liability for damage resulting from the failure to use the device for its intended purpose or for damage caused by external forces or any other external factors.

→ Refer to the technical data for limits and fields of application as well as possible uses.

Reasonably foreseeable misuse

The SAM HOME Gateway is **not** suitable for the following applications:

- Use outside the limits defined by the technical data

Furthermore, the following activities do not comply with the intended use:

- Use of non-original spare parts
- Performing maintenance activities not specified by SAMSON

Qualifications of operating personnel

The device must be mounted, started up and serviced by fully trained and qualified personnel only; the accepted industry codes and practices are to be observed. According to these mounting and operating instructions, trained personnel refers to individuals who are able to judge the work they are assigned to and recognize possible hazards due to their specialized training, their knowledge and experience as well as their knowledge of the applicable standards.

Revisions and other modifications

Revisions, conversions or other modifications of the product are not authorized by SAMSON. They are performed at the user's own risk and may lead to safety hazards, for example. Furthermore, the product may no longer meet the requirements for its intended use. Use of the device is no longer permitted in this case.

Warning against residual hazards

To avoid personal injury or property damage, operators and operating personnel must prevent hazards that could be caused in the device by taking appropriate precautions. They must observe all hazard statements, warning and caution notes in these mounting and operating instructions.

Responsibilities of the operator

The operator is responsible for proper operation and compliance with the safety regulations. Operators are obliged to provide these mounting and operating instructions to the operating personnel and to instruct them in proper operation. Furthermore, the operator must ensure that operating personnel or third persons are not exposed to any danger.

Responsibilities of operating personnel

Operating personnel must read and understand these mounting and operating instructions as well as the specified hazard statements, warning and caution notes. Furthermore, the operating personnel must be familiar with the applicable health, safety and accident prevention regulations and comply with them.

Referenced standards and regulations

Devices with a CE marking fulfill the requirements of the Directives 2014/30/EU, 2014/25/EU and 2011/65/EU. The declaration of conformity is included in the 'Certificates' section.

Referenced documentation

The following documents apply in addition to these mounting and operating instructions:

- Mounting and operating instructions for connected components, e.g. heating controllers of the TROVIS 5500 Automation System
- Mounting and operating instructions for SAMSON's SAM DISTRICT ENERGY web portal
▶ EB 6901

1.1 Notes on possible severe personal injury

DANGER

Risk of electric shock.

The SAM HOME Gateway is designed for use in low voltage installations. Electrical connection of the device involves potential hazards.

- Observe the relevant electrotechnical regulations of the country of use as well as the regulations of the local power suppliers.
- Only allow trained and experienced personnel to perform the work.
- Before electrical connection, disconnect the supply voltage and protect it against unintentional reconnection.
- Only use power interruption devices that are protected against unintentional reconnection of the power supply.

1.2 Notes on possible property damage

NOTICE

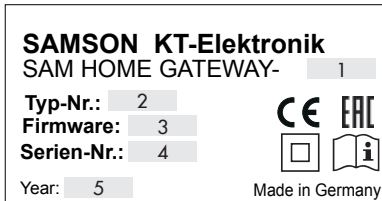
Unauthorized repair work will damage the SAM HOME Gateway.

- Do not attempt to repair the gateway yourself.
- Send the defective device to SAMSON.

2 Markings on the device

2.1 Nameplate

The nameplate is located on the right side of the SAM HOME Gateway.



- 1 Hardware version
- 2 Type number
- 3 Firmware version in the delivered state
- 4 Serial number
- 5 Year of manufacture

3 Design and principle of operation

The SAM HOME Gateway allows wired communication (Ethernet) with energy or utility meters, heating controllers and universal Modbus RTU devices within a network connected to the SAM DISTRICT ENERGY web portal (over an Internet connection or a Modbus TCP client). See Fig. 3-1.

The main functions of the SAM HOME Gateway are:

- Connection of TROVIS controllers to SAM DISTRICT ENERGY: analysis, management, optimization of customer systems
- Remote polling of meters with an M-Bus interface (heat, electricity, water, gas)
- Remote maintenance and visualization of TROVIS 5573, 5576, 5578 and 5579 Controllers as well as other devices with a Modbus RTU interface
- Alarm logging (binary inputs, sensor input)
- Remote switch (floating relay output)
- Potentiometer (0 to 10 V or PWM)

3.1 Status indication

The SAM HOME Gateway has LEDs to indicate the operating and communication state of the gateway. The operating states of the gateway are indicated by LEDs during start-up and servicing.

Generally, a red LED indicates errors, whereas blinking LEDs indicate restricted functioning and constantly illuminated green or yellow LEDs indicate that the gateway is functioning properly (see Table 3-1).

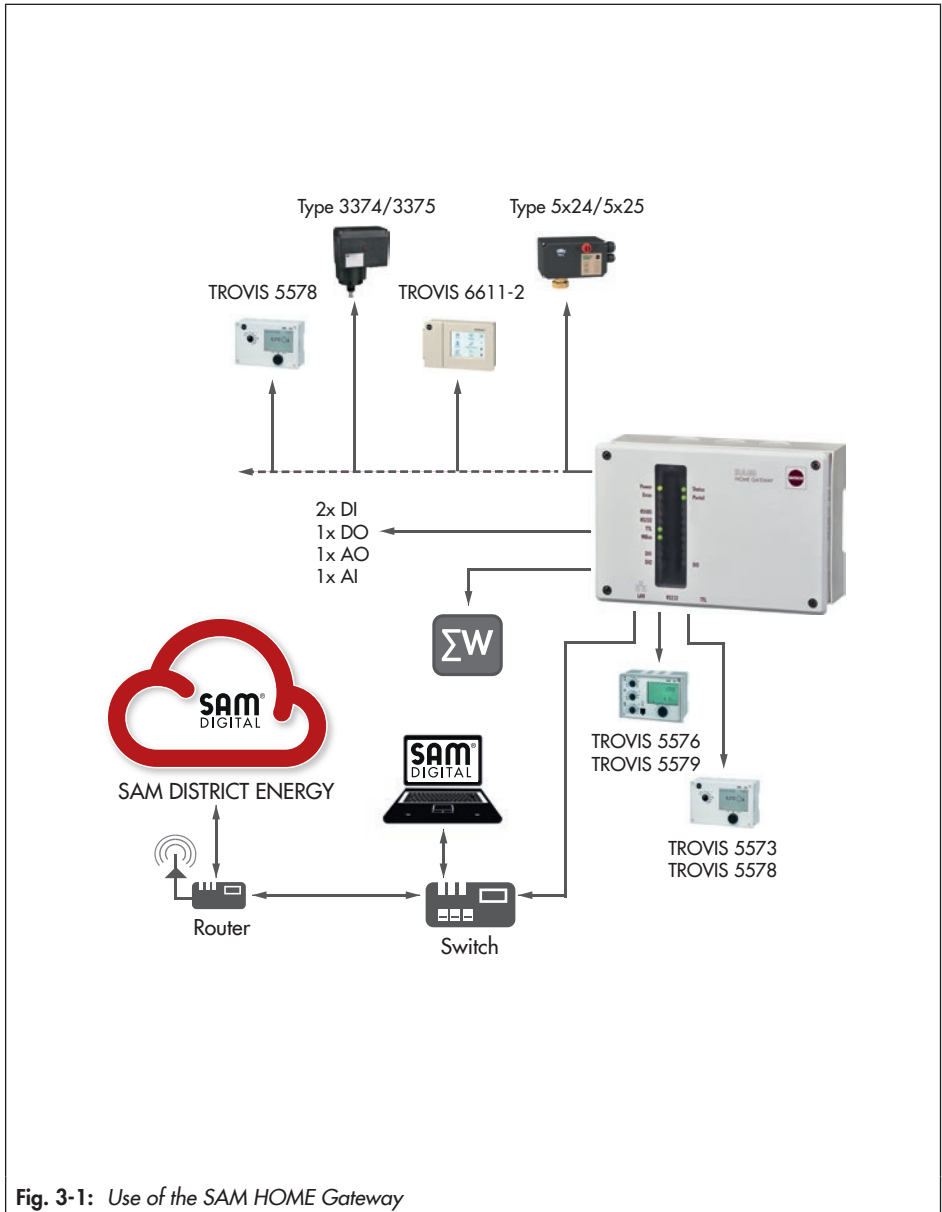



Fig. 3-1: Use of the SAM HOME Gateway

Design and principle of operation

Table 3-1: LEDs and their meaning

LED name	LED state	Meaning
Power (green)	On	Device is switched on
	Off	Device is switched off
	Blinks very quickly	Boot loader: Firmware programming
Status (yellow)	Blinking	Modbus RTU in turbo mode
Error (red)	blinking	Blinking pattern depending on the error: Blinks x1: Communication error – controller (RS-232, RS-485, TTL) Blinks x8: M-Bus communication error Blinks x9: M-Bus meter has generated an error Blinks x10: Connection to web portal not possible
	Off	No error
Web portal (green)	On	Connected (to SAM DISTRICT ENERGY or Modbus TCP); blinks to indicate the number of connections
	Blinking	
	1:1 blinking	Ethernet: DHCP client active, no IP address received
RS-485	Blinking	Green and red LEDs to indicate communication to the interface. The red LED indicates data being sent by the SAM HOME Gateway and the green LED that data are being received.
RS-232		
TTL		
M-Bus		
DO (green)	On	Relay contact (DO) in closed position
	Off	Relay contact (DO) in open position
DI (green)	On	External contact in closed position
	Off	External contact in open position

3.2 Technical data

SAM HOME Gateway	Type 5660
LAN port (Ethernet)	IEEE 802.3, 8-pole RJ-45 port Protocol: – Modbus TCP according to MODBUS Messaging on TCP/IP Implementation Guide V1.0b (2006-10-24) – TLS V1.2
Controller interfaces	Modbus RTU protocol, 9600 or 19200 Baud and flexible baud rate; data format N1, Modbus Application Protocol Specification V1.1a (2004-06-04) 1x RS-485 Modbus interface for two-wire bus 1x TTL Modbus interface: RJ-45 port (8 pole), assignment according to TROVIS 5573/5578 Controller 1x RS-232 Modbus interface: RJ-45 port (8 pole), assignment according to TROVIS 5576/5579 Controller
M-bus interface	Meter bus (two-wire), max. three M-Bus loads, M-Bus according to EN 1434-3 or adapted
Inputs	2 binary inputs 1 analog input 0 to 10 V or Pt 1000 (–60 to +400 °C)
Outputs	1 floating relay output with varistor, max. load 250 V AC, 2 A 1 analog output 0 to 10 V or PWM, (175 Hz, 10 V, max. 10 mA)
Operating voltage	85 to 250 V, 48 to 62 Hz, max. 7 W
Ambient temperature	0 to 50 °C (operation), –10 to +60 °C (storage and transport)
Degree of protection	IP 40 according to IEC 60529
Protection class	II according to EN 61140
Degree of contamination	2 according to EN 60730
Overvoltage category	II according to EN 60730
Test standard	EN 60730, EN 60950, EN 61000-6-1, EN 61000-6-3, RED Directive 2014/53/EU, EN 301489, EN 300220
Conformity	
Scope of delivery	SAM HOME Gateway, instructions, RJ-45 cable (8 pole) for connection to connected controllers (e.g. TROVIS 5573, 5576, 5578, 5579), network cable (LAN)
Housing	144x54x98 (WxDxH in mm); PA (base, cover, housing), PA (window)

4 Delivery

After receiving the shipment, proceed as follows:

1. Check the scope of delivery. Compare the shipment received with the delivery note.
2. Check the shipment for transportation damage. Report any transportation damage.

4.1 Unpacking

NOTICE

Risk of device damage due to foreign particles entering it.

Do not remove the packaging and protective films until immediately before mounting.

1. Remove the packaging from the device.
2. Dispose of the packaging in accordance with the valid regulations.

4.2 Transporting and lifting

4.2.1 Transporting

- Protect the device against external influences (e.g. impact).
- Protect the device against moisture and dirt.
- Observe the permissible transportation temperature of -10 to $+60$ °C.

4.3 Storage

NOTICE

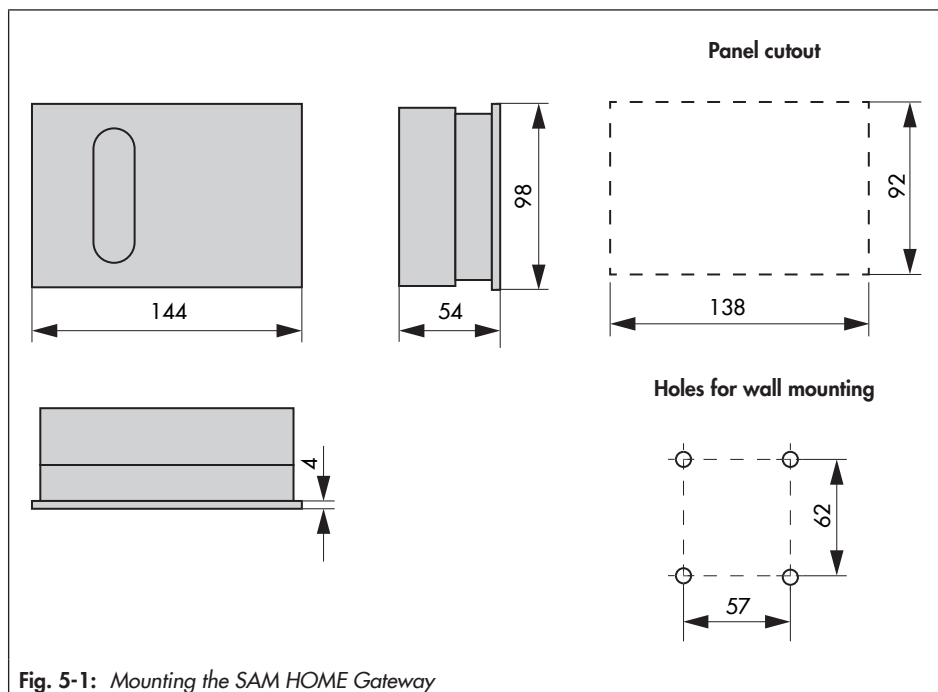
Risk of device damage due to improper storage.

- Observe the storage instructions.
 - Avoid long storage times.
 - Contact SAMSON in case of different storage conditions or long storage periods.
-

Storage instructions

- Protect the device against external influences (e.g. impact).
- Protect the device against moisture and dirt.
- Make sure that the ambient air is free of acids or other corrosive media.
- Observe the permissible storage temperature from -10 to $+60$ °C.
- Do not place any objects on the device.

5 Mounting



Panel mounting

1. Undo the screws on the front cover.
2. Separate the gateway from the base.
3. Make panel cut-out with the dimensions 138 x 92 mm (W x H).
4. Push the base through the panel cut-out.
5. Connect the wiring at the base as described in the 'Electrical connection' section.
6. Place the gateway onto the base.
7. Fasten the screws on the front cover.

Mounting

Rail mounting

1. Fasten the spring-loaded hook at the bottom of the top hat rail.
2. Slightly push the gateway upwards and pull the upper hook over the top hat rail.
3. Undo the screws on the front cover.
4. Separate the gateway from the base.
5. Connect the wiring at the base as described in the 'Electrical connection' section.
6. Place the gateway onto the base.
7. Fasten the screws on the front cover.

Wall mounting

1. Undo the screws on the front cover.
2. Separate the gateway from the base.
3. If necessary, drill holes with the specified dimensions in the appropriate places (see Fig. 5-1). Fasten the base with four screws.
4. Connect the wiring at the base as described in the 'Electrical connection' section.
5. Place the gateway onto the base.
6. Fasten the screws on the front cover.

6 Electrical connection

⚠ DANGER

Risk of electric shock!

The SAM HOME Gateway is designed for use in low voltage installations. Electrical connection of the device involves potential hazards.

- Observe the relevant electrotechnical regulations of the country of use as well as the regulations of the local power suppliers.
 - Only allow trained and experienced personnel to perform the work.
 - Before electrical connection, disconnect the supply voltage and protect it against unintentional reconnection.
 - Only use power interruption devices that are protected against unintentional reconnection of the power supply.
-

Notes on electric wiring

- Refer to the connection diagram (see Fig. 6-1).
- Install the 230 V power supply lines and the signal lines separately.
To increase immunity, keep a minimum distance of 10 cm between the lines. Make sure the minimum distance is also kept when the lines are installed in a cabinet.
- On connecting the wiring to the terminals, make sure that all accessible parts are insulated.
- Inductances in the control cabinet, e.g. contactor coils, are to be equipped with suitable interference suppressors (RC elements).
- Control cabinet elements with high field strength, e.g. transformers or frequency converters, must be shielded with separators providing a good ground connection.

Overvoltage protection

- If bus lines are installed outside buildings or over large distances, make sure appropriate surge or overvoltage protection measures are taken.
- Only use shielding that has an electric current conducting capacity and is grounded at both sides to shield the bus lines.
- Install surge diverters at the entry of the control cabinet.

The terminal compartment is located in the base of the gateway. To feed the cables, break through the holes in the marked locations at the top or bottom at the base housing and fit

Electrical connection

grommets or suitable cable glands. Ensure that the cables are not subject to torsion or bending by taking suitable precautions before inserting the cable.

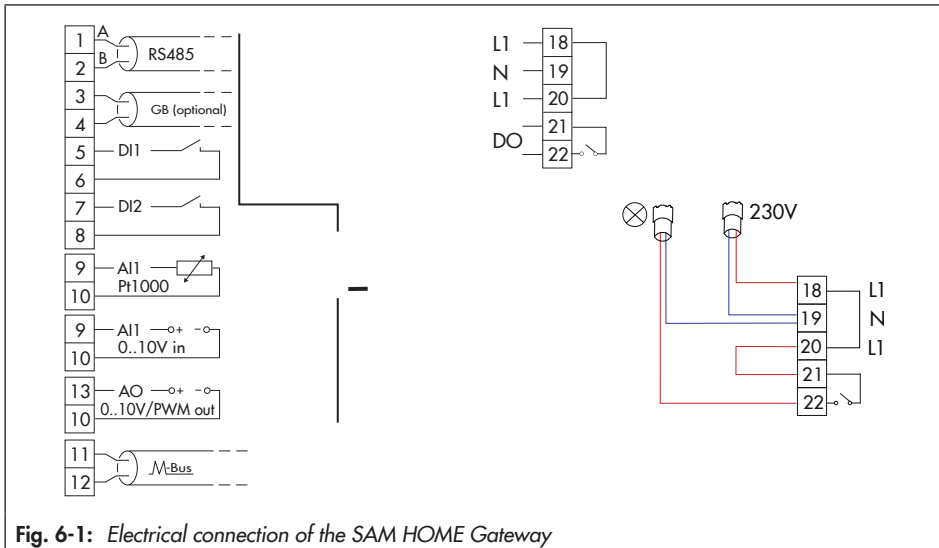


Fig. 6-1: Electrical connection of the SAM HOME Gateway

Supply voltage

→ Connect the supply voltage to the terminals 18 and 19 in the base of the gateway.

Controller connection RS-232

One single SAMSON TROVIS 5576 or 5579 Controller, or alternatively another device that has an RS-232 interface, can be connected to the RS-232 port of the SAM HOME Gateway. Do not activate the modem operation function of a connected controller. **Exception:** fault alarm of a separately connected controller with the modem/controller setting (TAP-SMS).

Controller connection TTL

The TTL port is used to connect a single SAMSON TROVIS 5573 or 5578 Controller, a SAMSON KT-ELEKTRONIK SOL3 or WPR3 Controller or equivalent device. The controller is connected with an 8-pole RJ-45 cable (max. cable length: 100 cm) directly to the gateway.

Controller connection over RS-485 bus

One or more controllers or Modbus RTU devices can be connected to the terminals 1 and 2 (RS-485) of the gateway. In this case, the controllers and devices must have an RS-485-interface (two-wire version) or be fitted with a corresponding converter.

i Note

The connection of more than 10 controllers to the RS-485 bus may cause the monthly data limit to be exceeded. **Additional costs may be incurred.** Your SAMSON point of contact can help you further in such cases.

Examples:

- Converter for TROVIS 5573/5578: iCon485 (8812-2002)
- Converter for TROVIS 5576/5579: cable converter (1400-8800)

This allows up to 40 controllers or Modbus RTU devices to be connected to a single SAM HOME Gateway. For the sake of quick access to controller data, we recommend not to make full use of this specification. In such cases, we recommend using several gateways.

Various RS-485 devices can be connected as a part of an RS-485 network to the two-pole terminal. RS-485 network rules concerning stub lines, bus termination, bus bias voltage must be observed in this case.

Devices with RS-485 interface in four-wire versions can be used. In this case, we recommend using the CoRe02 Universal Bus Unit (article no. 11996, order no. 1402-1433). When bus hubs (1400-7140) are used in place of the CoRe02 universal bus unit to connect devices with RS-485 interface in four-wire versions, the T_A wire must be jumpered to the R_A wire and the T_B wire jumpered to the R_B wire.

Binary output (relay)

The binary output (relay) is a floating switching contact at terminals 21 and 22. Small loads can be switched using this switching output. It can also be connected to a binary input of another device.

- ➔ A switching voltage (e.g. 230 V AC) applied to terminal 21 (e.g. using a jumper from terminal 20 (L1)).
- ➔ Observe the permissible load of the relay specified in the technical data. A contactor must be installed in the circuit for higher loads.

M-bus interface (meter bus)

Up to three heat, water, gas or electricity meters with an M-Bus interface can be connected at terminals 11 and 12 (M-Bus). The meter data (meter readings, momentary capacity, flow rate etc.) are available over Modbus TCP.

Electrical connection

Analog input ¹⁾

The analog input at the terminals 9 (AI1) and 10 of the device is used for direct connection of 0 to 10 V sensors or Pt 1000 sensors. Select the analog input type in the SAM Gateway configurator tool (see the 'Start-up' section).

– 0 to 10 V

If a (positive) DC voltage is applied to terminal AI1 to act in the opposite direction to the terminal COM, the measured value can be read off site using the SAM HOME Gateway. It is used to read a signal of another device or a 0 to 10 V sensor.

– Pt 1000

If a Pt 1000 sensor is connected to terminals AI1 and COM, the SAM HOME Gateway is able to read out the temperature at the sensor and make this value available for a data remote polling.

Binary inputs ¹⁾

Both inputs DI1 (terminal 5) and DI2 (terminal 7) can be used to register the state of two floating contacts (e.g. switches or relays of another device). A voltage supply must not be connected.

Analog output ¹⁾

The analog output at the terminals 13 (AO1) and 10 (COM) of the device is used for direct connection of control inputs for 0 to 10 V signals or a PWM signal. It can be used for the remote control of actuators or pumps.

Network connection (LAN)

The LAN port of the SAM HOME Gateway allows a connection to a network. It can be connected using an 8-pole patch cable to a network switch, hub or Internet router. It is also possible to directly establish a connection with a computer.

The interface is also used for onsite configuration using the SAM Gateways configurator tool (see the 'Start-up' section).

¹⁾ The terminals 6, 8 and 10 of the analog input, analog output and the binary inputs are connected to each other as reference potential (COM).

7 Start-up

The SAM Gateway configurator software (see section 7.3) installed on a computer as well as a patch cable are required to start up the SAM HOME Gateway.

i Note

In the delivered state, the SAM HOME Gateway is configured for communication over the Ethernet interface including an automatic function to switch between DHCP client and DHCP server. The DHCP client function remains active for around 1 minute after the device is switched on. If the SAM HOME Gateway does not receive an IP address from a DHCP server during this period, the device starts to work as a DHCP server with the configured IP address (default setting: 192.168.55.2).

7.1 Setup for use with the SAM DISTRICT ENERGY web portal

How to proceed:

- ➔ Connect the SAM HOME Gateway to the supply voltage.

The power LED is illuminated when the supply voltage is connected.

LED	Status
Power	On
Portal	Any
LAN port	Blinking

- ➔ Use a patch cable to connect the computer to the SAM HOME Gateway (LAN port).
- ➔ Open the SAM Gateway configurator software installed on the computer. Perform a scan and select the gateway you want by double-clicking it in the software.
- ➔ Configure the following items in the indicated order:
 - IP address (DHCP/static IP)
 - M-Bus configuration
 - Modbus settings
 - Optionally: fault alarms

After saving the configuration settings, the SAM HOME Gateway automatically restarts.

- ➔ Disconnect the computer from the SAM HOME Gateway.

Start-up

- Use a network cable to connect the SAM HOME Gateway to the Internet.

The SAM HOME Gateway automatically attempts to establish a connection with the SAM DISTRICT ENERGY portal. This process may take up to 2 minutes.

LED	Status
Power	On
Portal	On (blinking)

- Log on to the SAM DISTRICT ENERGY web portal using your personal login data (▶ EB 6901).

- Register the SAM HOME Gateway using the MAC address of the device (visible on the housing, starting with 00:E0:99:Fx:xx:xx).

For reasons of data security, the device must be registered in the web portal within six hours after the device has been started.

Restarting the gateway resets this time and allows the device to be registered after a timeout.

i Note

Settings, such as the utility meter settings (primary address, readout type and cycle), can be configured directly in SAM DISTRICT ENERGY (▶ EB 6901). Additional settings (including settings in the expert mode) and the debugging function are performed using the SAM Gateway configurator software. These settings can be made on a computer and transferred afterwards to the device.

7.2 Setup for use with a Modbus TCP control system or with 55HOME or 55Pro apps (server mode)

i Note

A DynDNS account is required to use the SAM HOME gateway in server mode. This enables the SAM HOME Gateway to be accessed on the Internet. The DynDNS account must be set up by the user (not included in the scope of services provided by SAMSON). **Additional costs may be incurred.**

The DynDNS settings are manufacturer-specific. Your point of contact in charge of IT in your organization can help you in such cases.

In applications other than the SAM DISTRICT ENERGY web portal, the SAM HOME Gateway functions as a server, while the control software or smartphone apps function as a client. In this case, the SAM HOME Gateway must operate with an IP address that can be accessed by the clients. Activate and set a port forwarding in the router (Modbus TCP port: 502).

For dynamic IP address assignment, the IP address assigned to the SAM HOME Gateway must be public on the Internet and a domain name service (DNS) must be configured in the Internet router used on site for the SAM HOME Gateway.

How to proceed:

- ➔ Connect the SAM HOME Gateway to the supply voltage.

The power LED is illuminated when the supply voltage is connected.

LED	Status
Power	On
Portal	Any
LAN port	Blinking

- ➔ Use a patch cable to connect the computer to the SAM HOME Gateway (LAN port).
- ➔ Open the SAM Gateway configurator software installed on the computer. Perform a scan and select the gateway you want by double-clicking it in the software.
- ➔ Configure the following settings in the indicated order:
 - IP address (DHCP/static IP)
 - M-Bus configuration
 - Modbus settings
 - Optionally: fault alarms

After saving the configuration settings, the SAM HOME Gateway automatically restarts.

Start-up

- Disconnect the computer from the SAM HOME Gateway.
- Use a network cable to connect the SAM HOME Gateway to the Internet.
- Connect the SAM HOME Gateway to the corresponding field devices (controller, energy meter) and poll using the Modbus TCP client (building automation system).
- Log on to the SAM DISTRICT ENERGY web portal using your personal login data (▶ EB 6901).

LED	Status
Power	On
Portal	On

7.3 SAM Gateway configurator

The basic configuration is performed using the **SAM Gateway configurator** tool. The configuration software tool runs under Microsoft Windows® 7, Windows® 8 and Windows® 10. It is installed using the setup program. *Microsoft .NET Framework 4* is required to install the SAM Gateway configurator correctly.

In addition to configuration, the **SAM Gateway configurator** can perform firmware updates and analyze the gateway's functioning (Debug-Viewer).

i Note

The SAM Gateway configurator can be downloaded from our website ▶ www.samsongroup.com > PRODUCTS & APPLICATIONS > Product selector > Automation systems > SAM HOME Gateway.

8 Operation

Network data transmission takes place while the gateway is operating. A direct connection to the Internet is established during operation. Communication using the Modbus TCP protocol is protected against transmission errors by checksum mechanisms.

→ **Take suitable security measures to prevent unauthorized access.**

Examples:

- A VPN connection between the control station and the local area network (LAN) in which the SAM HOME Gateway runs
- Use of SAMSON control system software (e.g. 55Viewer) which supports encryption of the Modbus TCP protocol. Modbus TCP encryption is activated by default.
- Use of user-defined code number and write protection for access operations by the control station activated in the devices connected to the SAM HOME Gateway

9 Errors

Error	Possible reasons	Recommended action
Power LED not illuminated.	The gateway is not powered with the specified voltage supply.	→ Check the supply voltage (see the 'Technical data' and 'Electrical connection' sections).

When the supply voltage is connected, errors are indicated through the use of different blinking patterns at the **error LED**.

Blinking frequency of the error LED	Error	Possible reasons	Recommended action
Blinks 1x	Communication error – Modbus RTU (RS-232, RS-485, TTL)	Loose or defective connecting cables	→ Check the connecting cables.
		Modbus address not configured to match.	→ Check the Modbus address settings in the gateway and in the connected end device.
Blinks 8x	Meter bus communication error	Meter configuration in the gateway incorrect	→ Check the meter configuration in the gateway (SAM Gateway configurator).
Blinks 9x	Meter bus meter error	Error generated due to meter configuration in the gateway.	→ Check meter.
Blinks 10x	Connection to web portal not possible	Encrypted routing to the web portal not implemented, port not enabled.	→ Check the port settings (router). Port 443 must be activated and enabled.

10 Decommissioning

⚠ DANGER

Risk of electric shock!

The SAM HOME Gateway has been designed for use in electrical power systems. Electrical connection of the device involves potential hazards.

- *Observe the relevant electrotechnical regulations of the country of use as well as the regulations of the local power suppliers.*
 - *Only allow trained and experienced personnel to perform the work.*
 - *Before electrical connection, disconnect the supply voltage and protect it against unintentional reconnection.*
 - *Only use power interruption devices that are protected against unintentional reconnection of the power supply.*
-

1. Disconnect the supply voltage and protect it against unintentional reconnection.
2. Undo the screws on the front cover.
3. Carefully pull the gateway device off the base.
4. Disconnect the wires (supply voltage) at terminals 18 and 19.

Preparing for disassembly

- Disconnect all wires of the externally fed cables from the terminals.
- Remove grommets or cable glands fitted at the cable entry and pull the cables out of the terminal compartment.

Removal

11 Removal

Panel mounting

1. Put the SAM HOME Gateway out of operation and prepare for removal.
2. Push the base through the panel cut-out.

Rail mounting

1. Put the SAM HOME Gateway out of operation and prepare for removal.
2. Slightly push the base upwards, pull the upper hook out of the top hat rail and remove the base.

Wall mounting

1. Put the SAM HOME Gateway out of operation and prepare for removal.
2. Unscrew the base.

12 Disposal



We are registered with the German national register for waste electric equipment (stiftung ear) as a producer of electrical and electronic equipment, WEEE reg. no.: DE 62194439

- Observe local, national and international refuse regulations.
- Do not dispose of components and hazard substances together with your other household waste.



Tip

On request, we can appoint a service provider to dismantle and recycle the product.

13 Certificates

The certificates valid at the time when these instructions were published are included in following. The latest versions of the documents are available on our website at

▶ www.samsongroup.com > *PRODUCTS & APPLICATIONS* > *Product selector* > *Automation systems* > *SAM HOME Gateway* > *Downloads* > *Certificates*.



EU Konformitätserklärung / EU Declaration of Conformity / Déclaration UE de conformité

Die alleinige Verantwortung für die Ausstellung dieser Konformitätserklärung trägt der Hersteller/
This declaration of conformity is issued under the sole responsibility of the manufacturer/
La présente déclaration de conformité est établie sous la seule responsabilité du fabricant.
Für das folgende Produkt / For the following product / Nous certifions que le produit

SAM HOME Gateway
Typ/Type/Type 5660

wird die Konformität mit den einschlägigen Harmonisierungsrechtsvorschriften der Union bestätigt /
the conformity with the relevant Union harmonisation legislation is declared with/
est conforme à la législation d'harmonisation de l'Union applicable selon les normes:

EMC 2014/30/EU

EN 61000-6-3:2007/A1:2011/AC:2012
EN 61000-6-4:2007/A1:2011, EN 55022
:2010/AC:2011, EN61000-6-1:2007

LVD 2014/35/EU

EN 60950-1:2006/AC:2011

RoHS 2011/65/EU

EN 50581:2012

Hersteller / Manufacturer / Fabricant:

SAMSON AKTIENGESELLSCHAFT
Weismüllerstraße 3
D-60314 Frankfurt am Main
Deutschland/Germany/Allemagne

Frankfurt / Francfort, 2018-12-17

Im Namen des Herstellers/ On behalf of the Manufacturer/ Au nom du fabricant.

Gert Nahler
Zentralabteilungsleiter/Head of Department/Chef du département
Entwicklung Automation und Integrationstechnologien/
Development Automation and Integration Technologies

Dipl.-Ing. Silke Bianca Schäfer
Total Quality Management/
Management par la qualité totale

cs_5660_de_en_fr_en08.pdf

14 Annex

14.1 Accessories

SAMSON item number	Designation	Description
8812-2002	iCon485	Adapter to connect the TROVIS 5573 or 5578 Controller to a RS-485 bus
1400-9670	CoRe02	Converter/repeater or RS-232 or RS-485 interface
900000131	SAM-DE	Connection of TROVIS (heating) controllers to the web portal
900000130	SAM-DE	Connection of utility meters to the web portal
900000269	SAM-DE	Connection of Type 3374/3375 Electric Actuators to the web portal
900000266	SAM-DE	Connection of TROVIS 5724-8/5725-8 Electric Actuators with Process Controller to the web portal

14.2 After-sales service

Contact our after-sales service for support concerning service or repair work or when malfunctions or defects arise.

E-mail address

You can reach our after-sales service at aftersalesservice@samson.de.

Addresses of SAMSON AG and its subsidiaries

The addresses of SAMSON AG, its subsidiaries, representatives and service facilities worldwide can be found on our website (www.samson.de) or in all SAMSON product catalogs.

EB 5660 EN



SAMSON AKTIENGESELLSCHAFT
Weismüllerstraße 3 · 60314 Frankfurt am Main, Germany
Phone: +49 69 4009-0 · Fax: +49 69 4009-1507
samson@samsongroup.com · www.samsongroup.com