



## SH 8387-5 EN

Translation of original instructions



### Type 3731-5 Electropneumatic Positioner Communication: FOUNDATION™ fieldbus

Edition July 2020



## Definition of signal words

### **DANGER**

*Hazardous situations which, if not avoided, will result in death or serious injury*

### **WARNING**

*Hazardous situations which, if not avoided, could result in death or serious injury*

### **NOTICE**

*Property damage message or malfunction*

### **Note**

*Additional information*

### **Tip**

*Recommended action*

## Purpose of this manual

The Safety Manual SH 8387-5 contains information relevant for the use of the Type 3731-5 Positioner in safety-instrumented systems according to IEC 61508 and IEC 61511. The safety manual is intended for planners, constructors and operators of safety-instrumented systems.

---

### **!** NOTICE

#### **Risk of malfunction due to incorrect mounting, connection or start-up of the positioner.**

- ➔ Refer to the Mounting and Operating Instructions EB 8387-5 on how to mount the positioner, perform the electric and pneumatic connections as well as start up the positioner.
  - ➔ Observe the warnings and safety instructions written in the Mounting and Operating Instructions EB 8387-5.
- 

## Further documentation

The documents listed below contain descriptions of the start-up, functioning and operation of the positioner. You can download these documents from the SAMSON website.

Type 3731-5 Positioner

- ▶ T 8387-5: Data sheet
- ▶ EB 8387-5: Mounting and operating instructions
- ▶ KH 8387-5: Configuration manual

EXPERTplus diagnostics (Type 3731-5 Positioner in firmware version 1.50 and higher)

- ▶ T 8389: Data sheet
- ▶ EB 8389: Operating instructions

EXPERT+ diagnostics (Type 3731-5 Positioner up to firmware version 1.49)

- ▶ T 8388: Data sheet
  - ▶ EB 8388-5: Operating instructions
- 

### **i** Note

*In addition to the positioner documentation, observe the documentation for the pneumatic actuator, valve and other valve accessories.*

---



|          |  |           |
|----------|--|-----------|
| <b>1</b> | <b>Scope .....</b>   | <b>6</b>  |
| 1.1      | General .....  | 6         |
| 1.2      | Use in safety-instrumented systems .....                           | 6         |
| 1.3      | Versions and ordering data .....                                   | 6         |
| 1.4      | Attachment .....   | 6         |
| <b>2</b> | <b>Technical data (excerpt from EB 8387-5) .....</b>               | <b>7</b>  |
| <b>3</b> | <b>Safety-related functions .....</b>                              | <b>8</b>  |
| 3.1      | Fail-safe action .....   | 8         |
| 3.2      | Protection against unauthorized changes to the configuration ..... | 10        |
| <b>4</b> | <b>Mounting, connection and start-up .....</b>                     | <b>10</b> |
| <b>5</b> | <b>Required conditions .....</b>                                   | <b>10</b> |
| 5.1      | Selection .....  | 11        |
| 5.2      | Mechanical and pneumatic installation .....                        | 11        |
| 5.3      | Electrical installation .....                                      | 12        |
| <b>6</b> | <b>Proof testing (periodic) .....</b>                              | <b>13</b> |
| 6.1      | Visual inspection to avoid systematic failure .....                | 13        |
| 6.2      | Function testing .....   | 14        |
| <b>7</b> | <b>Maintenance and repair .....</b>                                | <b>15</b> |
| <b>8</b> | <b>Safety-related data and certificates .....</b>                  | <b>16</b> |

# 1 Scope

## 1.1 General

The Type 3731-5 Electropneumatic Ex d Positioner is a single-acting positioner for mounting on pneumatic rotary and linear actuators with spring-return mechanism. The positioner is used to position control valves.

## 1.2 Use in safety-instrumented systems

Observing the requirements of IEC 61508, the systematic capability of the pilot valve for emergency venting as a component in safety-instrumented systems is given.

Use of the positioner is possible on observing the requirements of IEC 61511 and the required hardware fault tolerance in safety-instrumented systems up to SIL 2 (single device/HFT = 0) and SIL 3 (redundant configuration/HFT = 1).

The Ex d positioner is regarded as a type A device according to IEC 61508-2 in view of its safety functions.

## 1.3 Versions and ordering data

All versions of the Type 3731-5 Positioner are suitable for use in safety-instrumented systems.

## 1.4 Attachment

The positioner is suitable for the following types of attachment in combination with various mounting parts:

- Direct attachment to SAMSON Type 3277 Linear Actuators
- Attachment to linear actuators according to IEC 60534-6 (NAMUR)
- Attachment to SAMSON Type 3510 Micro-flow Valve
- Attachment to rotary actuators according to VDI/VDE 3845

## 2 Technical data (excerpt from EB 8387-5)

| Type 3731-5 Positioner with FOUNDATION™ fieldbus communication<br>Technical data in test certificates additionally apply to explosion-protected devices. |   |  |
|--|---|--|
| Bus connection   |   | Fieldbus interface according to IEC 61158-2, bus powered<br>Physical Layer Class 113 (without explosion protection)<br>111 (explosion-protected version)<br>Field unit according to FM 3610 entity and FISCO |
| Communication  | Fieldbus                                      | Data transmission conforming to FOUNDATION™ fieldbus specification<br>Communication Profile Class: 31 PS, 32 L<br>Interoperability tested according to Interoperability Test Kit (ITK) 6.2.0                 |
|  | Execution times                               | AO FB: 30 ms · DI FB: 20 ms · PID: 40 ms   |
|  | Local   | SAMSON SSP interface and serial interface adapter<br>Software requirements (SSP): TROVIS-VIEW with database module 3731-5  |
| Permissible operating voltage  |   | 9 to 32 V DC · Powered by bus line<br>The limits specified in the examination certificate additionally apply.  |
| Maximum operating current  |   | 15 mA  |
| Additional current in case of error  |   | 0 mA   |
| Supply   | Supply air                                    | Type 3731-521, Type 3731-527: 1.4 to 7 bar (20 to 105 psi)<br>Type 3731-523: 1.4 to 6 bar (20 to 90 psi)   |
|  | Air quality acc. to ISO 8573-1 (2004 edition) | Max. particle size and density: Class 4 · Oil content: Class 3<br>Moisture and water: Class 3<br>Pressure dew point: at least 10 K below the lowest ambient temperature to be expected                       |
| Signal pressure (output)   |   | 0 bar up to supply pressure  |
| Hysteresis   |   | ≤0.3 %   |
| Sensitivity  |   | ≤0.1 %   |
| Transit time   |   | Up to 240 s separately adjustable for exhaust and supply by software   |
| Direction of action  |   | Reversible   |
| Air consumption  |   | Independent of supply air approx. < 110 l <sub>n</sub> /h  |
| Air output capacity  | Actuator (supply)                             | At Δp = 6 bar: 8.5 m <sub>n</sub> <sup>3</sup> /h · At Δp = 1.4 bar: 3.0 m <sub>n</sub> <sup>3</sup> /h · K <sub>Vmax(20 °C)</sub> = 0.09  |
|  | Actuator (exhaust)                            | At Δp = 6 bar: 14.0 m <sub>n</sub> <sup>3</sup> /h · At Δp = 1.4 bar: 4.5 m <sub>n</sub> <sup>3</sup> /h · K <sub>Vmax(20 °C)</sub> = 0.15   |
| Permissible ambient temperature  |   | -40 to +80 °C<br>The limits in the test certificate additionally apply.  |

## Safety-related functions

| Type 3731-5 Positioner with FOUNDATION™ fieldbus communication<br>Technical data in test certificates additionally apply to explosion-protected devices. |  |
|--|--|
| Use in safety-instrumented systems (SIL)<br>Emergency venting at 0 V   | Observing the requirements of IEC 61508, the systematic capability of the pilot valve for emergency venting as a component in safety-instrumented systems is given.  |
|  | Use is possible on observing the requirements of IEC 61511 and the required hardware fault tolerance in safety-instrumented systems up to SIL 2 (single device/HFT = 0) and SIL 3 (redundant configuration/HFT = 1). |

## 3 Safety-related functions

### Emergency venting over the i/p converter (Fig. 1 path ———)

In automatic mode, the PD controller (3) compares the valve position to the control signal issued by FOUNDATION™ fieldbus. In case of a system deviation, the activation of the i/p converter is changed so that the actuator (1) is either vented or supplied with air. Fail-safe action is triggered when the electrical input (terminals marked "IEC 61158-2") is de-energized and the voltage at the i/p converter drops to 0 V. This causes the actuator to vent.

### 3.1 Fail-safe action

Fail-safe action is triggered by the i/p converter upon supply air failure. The positioner fully discharges its pneumatic output to the atmosphere, causing the pneumatic actuator to be vented. As a result, the valve moves to the fail-safe position. The fail-safe position depends on how the springs are arranged in the pneumatic actuator (air-to-close or air-to-open). When the air supply fails, all positioner functions, except for open/closed-loop control, remain active (including diagnostics and communication).

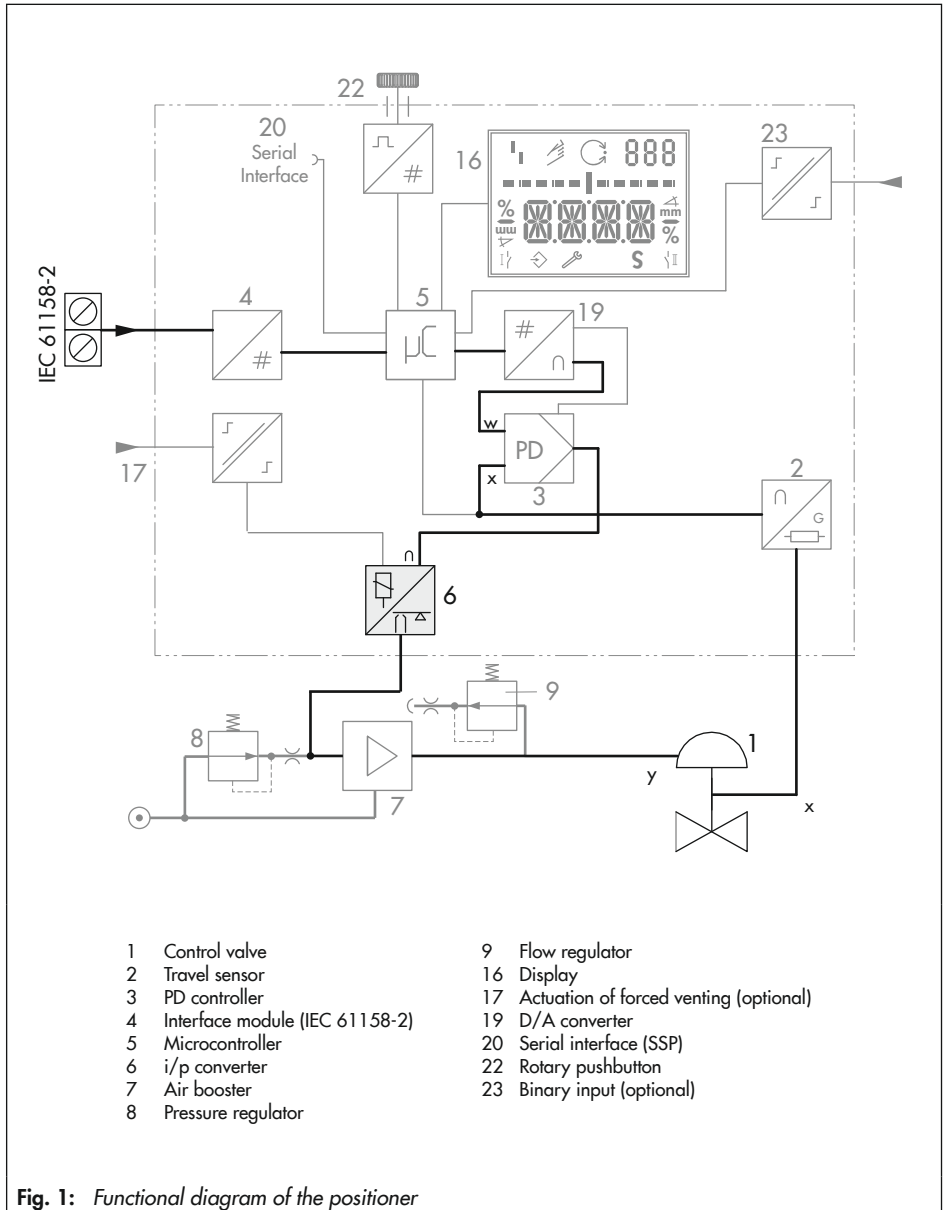
---

#### **i** Note

*The pneumatic output of the positioner can also be vented to the atmosphere over the software, e.g. by entering a suitable set point. This procedure is not a safety-instrumented function.*

---





## 3.2 Protection against unauthorized changes to the configuration

A change to the configuration cannot affect the safety function nor cause it to be deactivated.

## 4 Mounting, connection and start-up

Refer to Mounting and Operating Instructions ► EB 8387-5 on how to mount, perform the electric and pneumatic connections as well as start up the positioner.

Only use the specified original mounting parts and accessories.

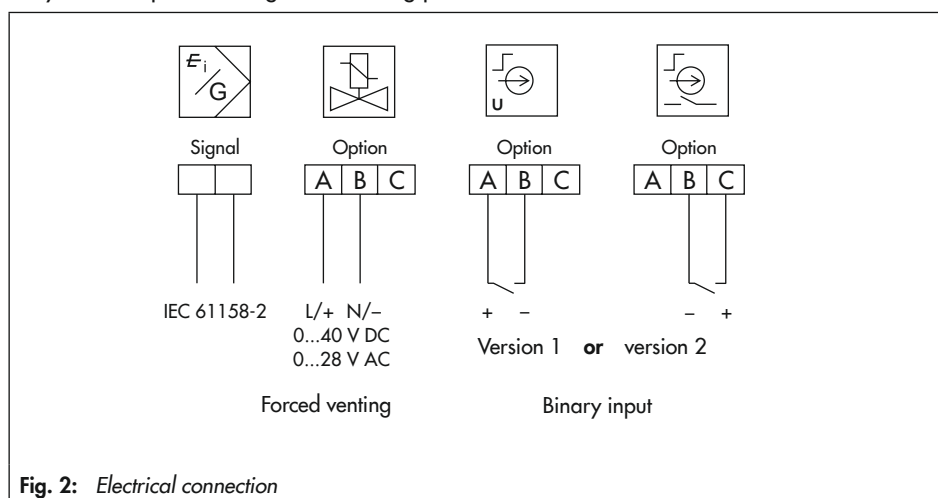


Fig. 2: Electrical connection

## 5 Required conditions

### ⚠ WARNING

**Risk of malfunction due to incorrect selection or wrong installation and operating conditions.**

→ Only use control valves in safety-instrumented systems if the necessary conditions in the plant are fulfilled. The same applies to the mounted positioner.

## 5.1 Selection

- The required transit times of the control valve are observed.  
The transit times to be implemented are determined by the process engineering requirements.



### Tip

*The minimum OPEN and CLOSE transit times can be read in Codes 40 and 41 after the positioner has been initialized.*

- The positioner is suitable for the prevailing ambient temperature.

| Versions  | Temperature range |
|---|-------------------|
| All   | -40 to +80 °C     |
| <b>The temperature limits for the explosion-protected devices may be further restricted by the limits specified in the test certificates.</b> |                   |


- The temperature limits are observed.

## 5.2 Mechanical and pneumatic installation

- The positioner is mounted properly as described in the mounting and operating instructions and connected to the air supply.



### Tip

*Error codes 50 to 58 indicate incorrect attachment. For safety-instrumented systems, we recommend assigning the 'Failure' status to these errors to quickly recognize them when they occur (indicated by  on the display).*

- The supply pressure does not exceed the maximum limit specified below.
- Type 3731-521 and Type 3731-527: 7 bar
  - Type 3731-523: 6 bar
- The pneumatic air supply meets the instrument air specifications.

| Particle size and quantity     | Oil content           | Moisture and water  |
|--------------------------------|-----------------------|---|
| Class 4                        | Class 3               | Class 3   |
| ≤ 5 µm and 1000/m <sup>3</sup> | ≤ 1 mg/m <sup>3</sup> | Pressure dew point: at least 10 K below the lowest ambient temperature to be expected |

## Required conditions



### Tip

We recommend installing a supply pressure regulator/filter upstream of the device. For example, the SAMSON Type 4708 Supply Pressure Regulator with 5 µm filter cartridge can be used.

---

- The supply air line has a minimum inside diameter of 4 mm.  
Select the cross section and length of the line to ensure that the supply pressure at the positioner on supplying air to the actuator does not fall below the minimum limit.
- The positioner is mounted as prescribed.
- The vent opening at the back of the positioner remains open when the positioner is installed on site.

## 5.3 Electrical installation

- The positioner is connected to the electric power supply properly as described in the mounting and operating instructions.
- Only cables whose outside diameters are suitable for the cable glands are used.
- When the positioner is connected according to the type of protection Ex d, cable entries or conduit systems are used that comply with EN 60079-1 Explosive Atmospheres – Part 1: Equipment Protection by Flameproof Enclosures "d", Clauses 13.1 and 13.2 and for which a separate test certificate is available.
- When the positioner is connected according to the type of protection Ex e, cable entries and blanking plugs are used, which are certified according to type of protection Ex e (ATEX) and have a separate test certificate.
- The cable glands and cover screws are fastened tightly to ensure that the degree of protection is met.
- The installation requirements for the applicable explosion protection measures are observed.
- The special conditions specified in the explosion protection certificates are observed.

## 6 Proof testing (periodic)

The proof test interval and the extent of testing lie within the operator's responsibility. The operator must draw up a test plan, in which the proof tests and the interval between them are specified. We recommend summarizing the requirements of the proof test in a checklist.

### WARNING

***Risk of dangerous failure due to malfunction in the event of emergency (actuator is not vented or the valve does not move to the fail-safe position).***

→ Only use devices in safety-instrumented systems that have passed the proof test according to the test plan drawn up by the operator.

Regularly check the safety-instrumented function of the entire SIS loop. The test intervals are determined, for example on calculating each single SIS loop in a plant ( $PFD_{avg}$ ).

### 6.1 Visual inspection to avoid systematic failure

To avoid systematic failure, inspect the positioner regularly. The frequency and the scope of the inspection lie within the operator's responsibility. Take application-specific influences into account, such as:

- Dirt blocking the pneumatic connections
- Corrosion (destruction primarily of metals due to chemical and physical processes)
- Material fatigue
- Aging (damage caused to organic materials, e.g. plastics or elastomers, by exposure to light and heat)
- Chemical attack (organic materials, e.g. plastics or elastomer, which swell, leach out or decompose due to exposure to chemicals)

### NOTICE

***Risk of malfunction due to the use of unauthorized parts.***

→ Only use original parts to replace worn parts.

## 6.2 Function testing

Regularly check the safety function according to the test plan drawn up by the operator.

---

**i Note**

Record any positioner faults and e-mail ([aftersaleservice@samsongroup.com](mailto:aftersaleservice@samsongroup.com)) them to SAMSON.

---

### Emergency venting by applying a 0 V signal to terminals marked "IEC 61158-2"

1. Supply the positioner with air within the permissible supply pressure range (max. 7 bar for Type 3731-521 and Type 3731-527 or 6 bar for Type 3731-523) which allows the valve to move to the maximum travel/angle of rotation.
  2. Connect the two-wire bus line to the bus connection terminals (marked "IEC 61158-2"), ensuring that the permissible supply voltage between 9 to 32 V DC (power by the bus line) is observed.
  3. Switch the positioner to automatic mode (if it has not already been done).
  4. Set the input signal over FOUNDATION™ fieldbus (terminals marked "IEC 61158-2) in such a way that the valve moves to the operating position. Check whether the valve moves to this position.
- 

**💡 Tip**

*The travel/angle of rotation in automatic mode can be read at the positioner in Code 0.*

---

5. Disconnect the supply voltage to achieve a supply voltage of 0 V at the bus connection terminals (marked "IEC 61158-2"). This must cause the valve to move to its fail-safe position.
  6. Check whether the actuator is fully vented within the demanded time.
  7. Set the input signal over FOUNDATION™ fieldbus (terminals marked "IEC 61158-2) in such a way that the valve moves to the approx. 50 % of its travel/angle of rotation. Check whether the valve moved to this position.
  8. Disconnect the supply voltage to achieve a supply voltage of 0 V at the bus connection terminals (marked "IEC 61158-2"). This must cause the valve to move to its fail-safe position.
  9. Check whether the actuator is fully vented within the demanded time.
-

**Tip**

Connect a pressure gauge to check that the actuator has completely vented.

---

**Proof test**

A full stroke test must be performed as the proof test. The following value can be used for Proof Test Coverage to calculate  $PFD_{avg}$ :

PTC (Proof Test Coverage) = 92 % for a proof test

## 7 Maintenance and repair

Only perform the work on the positioner described in ► EB 8387-5.

---

**NOTICE**

**Safety function impaired due to incorrect repair.**

→ Only allow trained staff to perform service and repair work.

---

For devices operated in the low demand mode, a useful lifetime of 11 years (plus 1.5 years storage time) is confirmed by TÜV Rheinland® from the date of manufacture while taking into account the specific conditions of use specified in the Safety Manual and the Mounting and Operating Instructions.

The results of the proof test must be assessed and the maintenance scheduled based on it. In particular, after changes (e.g. signs of aging in elastomers, changed switching times or leakage etc.), it is essential that the manufacturer performs maintenance or repair work on the device.

MTC (Maintenance Coverage) > 99 %

## 8 Safety-related data and certificates

|                                     |       |
|-------------------------------------|-------|
| PSTC (Partial Stroke Test Coverage) | 68 %  |
| PTC (Proof Test Coverage)           | 92 %  |
| MTC (Maintenance Coverage)          | >99 % |

Further safety-related data are listed in the following certificate.



# Certificate



SIL/PL  
Capability

www.tuv.com  
ID: 960000000

No.: 968/V 1161.02/22

**Product tested** Electro pneumatic positioners **Certificate holder** SAMSON AG  
Weismülenstr. 3  
60314 Frankfurt / Main  
Germany

**Type designation** see Revisionlist

**Codes and standards** IEC 61508 Parts 1-2 and 4-7:2010

**Intended application** Safety Function: Safe venting (and safe indication of the end positions)

The positioners are suitable for use in a safety instrumented system up to SIL 2 (low demand mode).

Under consideration of the minimum required hardware fault tolerance HFT = 1 the positioners may be used in a redundant architecture up to SIL 3 according to IEC 61508 and IEC 61511:2016 + AMD1:2017.

**Specific requirements** The instructions of the associated Installation, Operating and Safety Manual shall be considered.

Summary of test results see back side of this certificate.

The issue of this certificate is based upon an evaluation in accordance with the Certification Program CERT FSP1 V1.0:2017 in its actual version, whose results are documented in Report No. 968/V 1161.02/22 dated 2022-08-25. This certificate is valid only for products, which are identical with the product tested.

TÜV Rheinland Industrie Service GmbH  
Bereich Automation  
Funktionale Sicherheit

Köln, 2022-09-08

Certification Body Safety & Security of Automation & Grid

Dipl.-Ing. (FH) Wolf Rückwart

TÜV Rheinland Industrie Service GmbH, Am Graben 47a, 51109 Köln, Germany  
Tel.: +49 221 666-1190, Fax: +49 221 666-1195, E-Mail: kontakt-service@tuw.rwth-ai

1002211: 13E 44 © TÜV, TÜV and TÜV are registered trademarks of the German Association of Engineers and Technicians.

www.fs-products.com  
www.tuv.com

TÜVRheinland®  
Precisely Right.

Holder: **SAMSON AG**  
 Weilmüllerstraße 3  
 60314 Frankfurt am Main  
 Germany

Product tested: **Electropneumatic positioners**  
 3730-0, 3730-1, 3730-2, 3730-3, 3730-4, 3730-5,  
 3730-6<sup>3</sup>, TROVIS SAFE 3730-8<sup>3</sup>

3731-3<sup>4</sup>, TROVIS SAFE 3731-3<sup>4</sup>, 3731-5

#### Results of Assessment

|                          |     |                   |
|--------------------------|-----|-------------------|
| Hardware Fault Tolerance | HFT | 0                 |
| Route of Assessment      |     | $2_{H1} / 1_{H2}$ |
| Type of Sub-system       |     | Type A            |
| Mode of Operation        |     | Low Demand Mode   |

#### Safe venting via l/p-converter- all above mentioned types with or without

|   |                  |               |        |
|---|------------------|---------------|--------|
| Lambda Dangerous Undetected <sup>1</sup>              | $\lambda_{DU}$   | 9,58 E-08 / h | 96 FIT |
| Average Probability of Failure on Demand <sup>2</sup> | $PFD_{avg}(T_d)$ | 4,18 E-04     |        |

#### Safe venting via forced venting (3730-8, TROVIS SAFE 3730-8)

|   |                  |               |        |
|---|------------------|---------------|--------|
| Lambda Dangerous Undetected <sup>1</sup>              | $\lambda_{DU}$   | 9,58 E-08 / h | 96 FIT |
| Average Probability of Failure on Demand <sup>2</sup> | $PFD_{avg}(T_d)$ | 4,18 E-04     |        |

#### Safe venting solenoid valve (3730-2, 3730-3, 3730-4, 3730-5, 3730-8, TROVIS SAFE 3730-8)

|   |                  |               |        |
|---|------------------|---------------|--------|
| Lambda Dangerous Undetected <sup>1</sup>              | $\lambda_{DU}$   | 8,83 E-08 / h | 88 FIT |
| Average Probability of Failure on Demand <sup>2</sup> | $PFD_{avg}(T_d)$ | 3,87 E-04     |        |

#### Safe indication of the end positions (3730-1, 3730-2, 3730-3, 3730-4, 3730-5, 3730-8, TROVIS SAFE 3730-8)

|   |                  |               |        |
|---|------------------|---------------|--------|
| Lambda Dangerous Undetected <sup>1</sup>              | $\lambda_{DU}$   | 7,43 E-08 / h | 74 FIT |
| Average Probability of Failure on Demand <sup>2</sup> | $PFD_{avg}(T_d)$ | 3,28 E-04     |        |

<sup>1</sup> assumed Diagnostic Coverage DC = 0 %

<sup>2</sup> assumed Proof Test Interval  $T_d = 1$  year

<sup>3</sup> The types 3730-6 and TROVIS SAFE 3730-8 optionally have switch-off thresholds of < 3.8 mA or < 4.4 mA

<sup>4</sup> The types 3731-3 and TROVIS SAFE 3731-3 optionally have switch-off thresholds of < 3.8 mA

#### Origin of values

The stated failure rates are the result of an FMECA with tailored failure rates for the design and manufacturing process.

Furthermore the results have been verified by qualification tests and field-feedback data of the last 5 years.

Failure rates include failures that occur at a random point in time and are due to degradation mechanisms such as ageing.

The stated failure rates do not release the end-user from collecting and evaluating application-specific reliability data.

#### Systematic Capability

The development and manufacturing process and the functional safety management applied by the manufacturer in the relevant lifecycle phases of the product have been audited and assessed as suitable for the manufacturing of products for use in applications with a maximum Safety Integrity Level of 3 (SIL 3).

#### Periodic Tests and Maintenance

The given values require periodic tests and maintenance as described in the Safety Manual.

The operator is responsible for the consideration of specific external conditions (e.g. ensuring of required quality of media, max. temperature, time of impact), and adequate test cycles.

**Safety related modules / components**

| Type Designation   | Description                 | Report-No.:      | Certification Status |
|--------------------|-----------------------------|------------------|----------------------|
| 3730-0             | Electropneumatic positioner | 968/V 1161.00/20 | Valid                |
| 3730-1             | Electropneumatic positioner | 968/V 1161.00/20 | Valid                |
| 3730-2             | Electropneumatic positioner | 968/V 1161.00/20 | Valid                |
| 3730-3             | Electropneumatic positioner | 968/V 1161.00/20 | Valid                |
| 3730-4             | Electropneumatic positioner | 968/V 1161.00/20 | Valid                |
| 3730-5             | Electropneumatic positioner | 968/V 1161.00/20 | Valid                |
| 3730-6             | Electropneumatic positioner | 968/V 1161.00/20 | Valid                |
| TROVIS SAFE 3730-6 | Electropneumatic positioner | 968/V 1161.00/20 | Valid                |
| 3731-3             | Electropneumatic positioner | 968/V 1161.00/20 | Valid                |
| TROVIS SAFE 3731-3 | Electropneumatic positioner | 968/V 1161.00/20 | Valid                |
| 3731-5             | Electropneumatic positioner | 968/V 1161.00/20 | Valid                |

**Manufacturing locations**

| Type Designation                              | Description   | Report-No.:      | Certification Status |
|---|---|------------------|----------------------|
| SAMSON AG                                     | Weismüllerstraße 3<br>60314 Frankfurt am Main                           | 968/V 1161.00/20 | Valid                |
| Samson Controls Solutions (Beijing) Co., Ltd. | Building 1, No. 15, Yong Chang Nan Lu, BDA, Beijing, 100176, P.R. China | 968/V 1161.02/22 | Valid                |

TP-6053\_Revision\_List\_Template.docx, Rev. v.1.1

SAMSON AG  
Weismüllerstraße 3  
60314 Frankfurt am Main

TÜV Rheinland Industrie Service GmbH  
Automation - Functional Safety (A-FS)  
Am Grauen Stein  
51105 Köln / Germany

Page 1 of 3

**Safety Manual**

| Document No.                     | Description                               | Report-No.:      | Certification Status |
|----------------------------------|---|------------------|----------------------|
| e8384mde 3730-0.pdf              | Safety manual for type 3730-0             | 968/V 1161.00/20 | Valid                |
| e8384ode 3730-1.pdf              | Safety manual for type 3730-1             | 968/V 1161.00/20 | Valid                |
| e8384qde 3730-2.pdf              | Safety manual for type 3730-2             | 968/V 1161.00/20 | Valid                |
| e8384sde 3730-3.pdf              | Safety manual for type 3730-3             | 968/V 1161.00/20 | Valid                |
| e8384nde 3730-4.pdf              | Safety manual for type 3730-4             | 968/V 1161.00/20 | Valid                |
| e8384pde 3730-5.pdf              | Safety manual for type 3730-5             | 968/V 1161.00/20 | Valid                |
| e8384rde 3730-6.pdf              | Safety manual for type 3730-6             | 968/V 1161.00/20 | Valid                |
| e8384bde TROVIS SAFE 3730-6.pdf  | Safety manual for type TROVIS SAFE 3730-6 | 968/V 1161.00/20 | Valid                |
| e8387yde 3731-3.pdf              | Safety manual for type 3731-3             | 968/V 1161.00/20 | Valid                |
| e8387xde, TROVIS SAFE 3731-3.pdf | Safety manual for type TROVIS SAFE 3731-3 | 968/V 1161.00/20 | Valid                |
| e8387zde 3731-5.pdf              | Safety manual for type 3731-5             | 968/V 1161.00/20 | Valid                |

SAMSON AG  
Weismüllerstraße 3  
60314 Frankfurt am Main

TÜV Rheinland Industrie Service GmbH  
Automation - Functional Safety (A-FS)  
Am Grauen Stein  
51105 Köln / Germany

Page 2 of 3

**Revision List**  
**referred to on Certificate No.: 968/V 1161.02/22**  
**Certified Product: Electromagnetic positioners**



**Drawings**

| Document No.                | Revision          | Description                         | Report-No.:      | Certification Status |
|-----------------------------|-------------------|-------------------------------------|------------------|----------------------|
| GI03_1040_0002_8.pdf        | 8.a / 20.02.2015  | Drawing for type 3730-0             | 968/V 1161.00/20 | Valid                |
| GI03_1040_0018_8.pdf        | 8.a / 20.02.2015  | Drawing for type 3730-1             | 968/V 1161.00/20 | Valid                |
| GI03_1040_0013_11.pdf       | 11.a / 19.02.2015 | Drawing for type 3730-2             | 968/V 1161.00/20 | Valid                |
| GI03_1040_0007_15.pdf       | 15.a / 18.11.2016 | Drawing for type 3730-3             | 968/V 1161.00/20 | Valid                |
| GI03_1040_0014_11.pdf       | 11.a / 19.02.2015 | Drawing for type 3730-4             | 968/V 1161.00/20 | Valid                |
| GI03_1040_0015_10.pdf       | 10.a / 20.02.2015 | Drawing for type 3730-5             | 968/V 1161.00/20 | Valid                |
| GI01_1040_0347_6.pdf        | 6.a / 18.11.2016  | Drawing for type 3730-6             | 968/V 1161.00/20 | Valid                |
| GI01_1040_0347_6.pdf        | 6.a / 18.11.2016  | Drawing for type TROVIS SAFE 3730-6 | 968/V 1161.00/20 | Valid                |
| 1170-2964_SWD_000_13_de.pdf | 13 / 16.04.2019   | Drawing for type 3731-3             | 968/V 1161.00/20 | Valid                |
| 1170-2964_SWD_000_13_de.pdf | 13 / 16.04.2019   | Drawing for type TROVIS SAFE 3731-3 | 968/V 1161.00/20 | Valid                |
| 1170-2964_SWD_000_13_de.pdf | 13 / 16.04.2019   | Drawing for type 3731-5             | 968/V 1161.00/20 | Valid                |

The content of this Revision List has been agreed between Manufacturer and Certification Body.

**Revision:**

| Date       | Rev. | Description / Changes   | Author  |
|------------|------|---|---------|
| 2020-05-04 | 1.0  | Initial creation, based on Report-No.: 968/V 1161.00/20                       | JCzA-FS |
| 2022-08-17 | 2.0  | Addition of manufacturing facility in P.R. China Report-No.: 968/V 1161.02/22 | JCzA-FS |

SAMSON AG  
 Weismüllerstraße 3  
 60314 Frankfurt am Main

TÜV Rheinland Industrie Service GmbH  
 Automation - Functional Safety (AFS)  
 Am Grauen Stein  
 51105 Köln / Germany



SH 8387-5 EN



SAMSON AKTIENGESELLSCHAFT  
Weismüllerstraße 3 · 60314 Frankfurt am Main, Germany  
Phone: +49 69 4009-0 · Fax: +49 69 4009-1507  
samson@samsongroup.com · www.samsongroup.com