

DESCRIPTION OF SPARE PARTS KIT



EL 8111-K EN

Translation of original instructions

This description of the spare parts kit does **not** replace the mounting and operating instructions for the valve. Observe the safety instructions as well as the warning and caution notes specified in the mounting and operating instructions.

Identification

The spare parts kit contains original spare parts for SAMSON Type 3321 Valves.

The parts are specified in detail at the back of this document.

General information on use

- The spare parts included in the spare parts kit must not be used for valves intended for oxygen service.
- The spare parts included in the spare parts kit are not cleaned before delivery.
- Service work must only be performed by personnel appropriately qualified to carry out such work.
- Certain test results certified by SAMSON lose their validity when the valve is opened. Such testing includes seat leakage and leak tests.
- Only perform the service work as described in the Mounting and Operating Instructions EB 8111. The product warranty becomes void if service work not described in these instructions is performed without prior agreement by SAMSON's After-sales Service.

- Only use original spare parts by SAMSON, which comply with the original specifications.

The following documents are required for servicing the valve:



Mounting and Operating Instructions EB 8111 for the valve:

► <https://www.samsongroup.com/document/e81110en.pdf>



Spare Parts List EL 8111 for the valve:

► <https://www.samsongroup.com/document/s81110s1.pdf>



Mounting and operating instructions for the mounted actuator:

For SAMSON actuators
► <https://www.samsongroup.com/de/service-support/downloads/dokumentation/>



Application Notes AB 0100: Servicing SAMSON Products

► <https://www.samsongroup.com/document/e01000en.pdf>

Contents of the spare part kit

Refer to Fig. 1 and Fig. 2 for spare parts:

- Seat * Item 4
- Plug (with plug stem) * Item 5
- Threaded bushing (packing nut) * Item 8
- Packing * Item 15
- Body gasket * Item 17

Others:

- Pair of nylon gloves with nitrile micro-foam coating (PPE category II)
- Self-stick note pad
- Pen

⚠ WARNING

Risk of personal injury due to residual process medium in the valve.

The supplied gloves meet category II requirements for PPE. They protect against mechanical hazards (e.g. cuts, crushing, severe abrasion). They are not designed to protect against chemicals, heat or extreme cold.

➔ Do not use the supplied gloves if hazards posed by residual medium in the valve cannot be ruled out. In this case, use other gloves (not included in the scope of delivery) which provide appropriate protection.

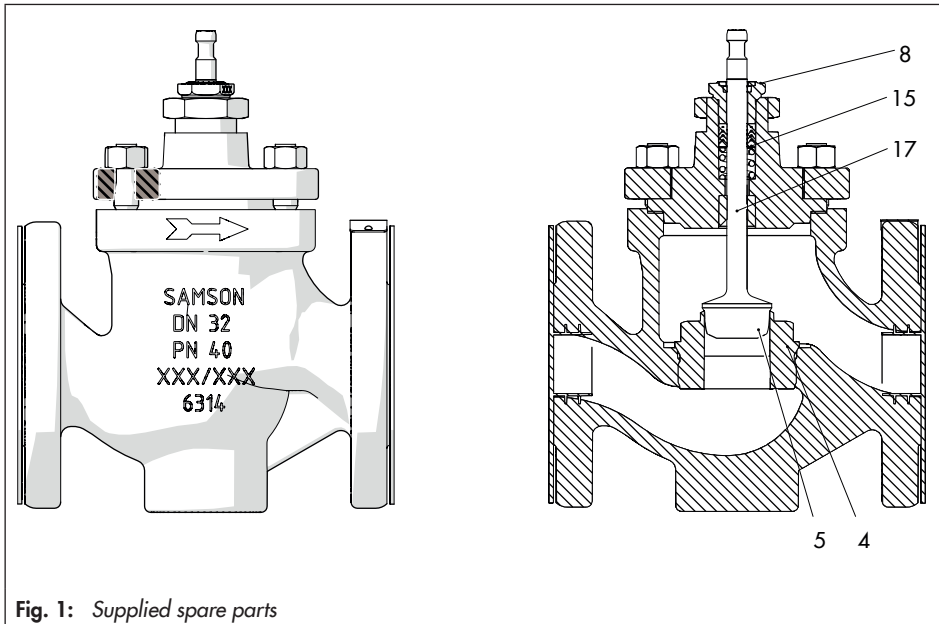


Fig. 1: Supplied spare parts

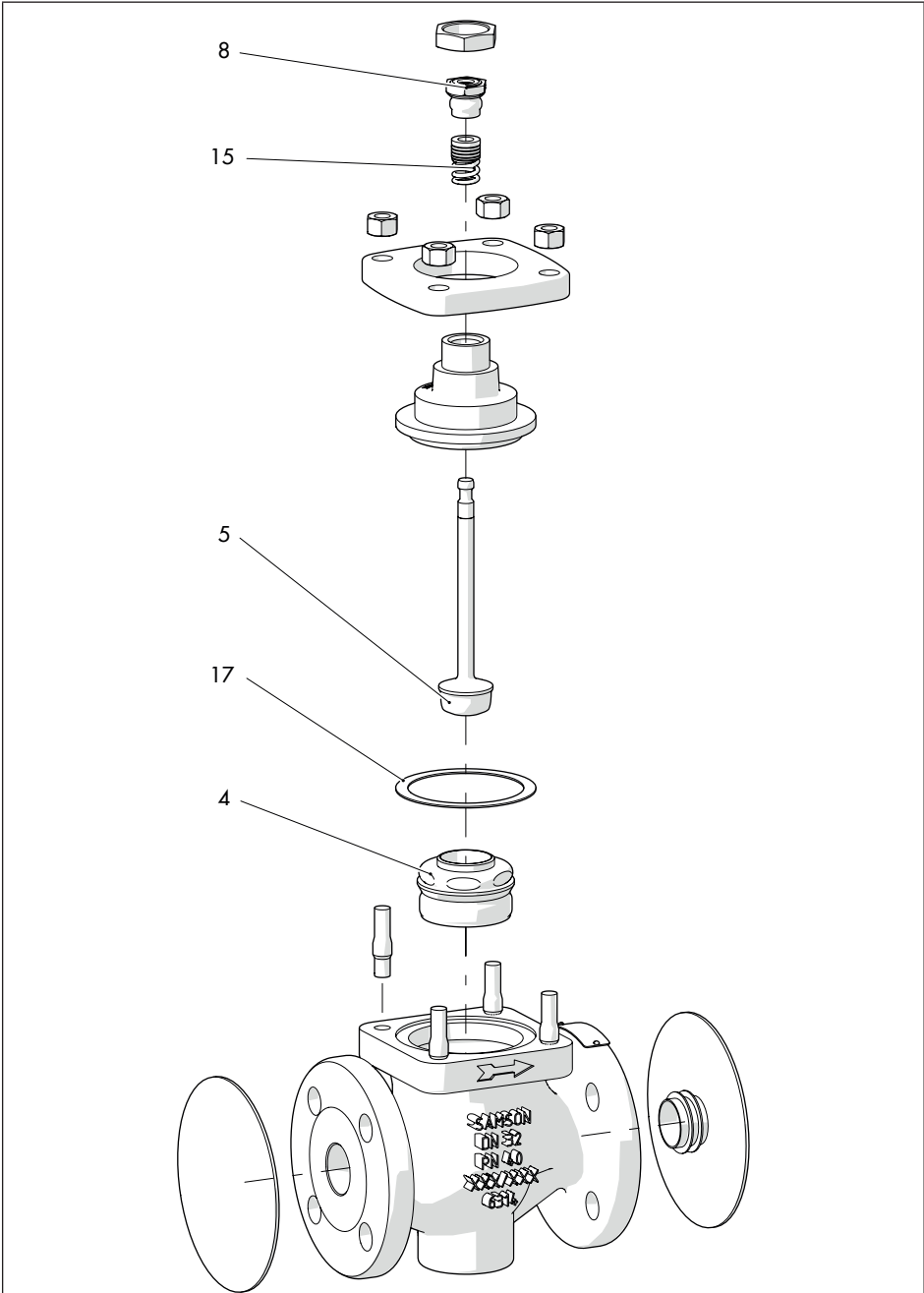


Fig. 2: Supplied spare parts

Table 1: Spare parts kits and valve versions

Material number	Valve size	K_{vs}	C_v	Bonnet	Standard	Body material	EN-GJL-250; 1.0619; 1.4408; EN-GJS-400-18-LT	EN-GJL-250; 1.0619; EN-GJS-400-18-LT	1.0619	EN-GJL-250	Cleaning	No special measures	Seat material	1.406+QT	1.4104	1.4401/1.4404	Plug material	1.4401/1.4404	Plug facing	Metal	Characteristic	Equal percentage	Body gasket	Graphite seal on metal core 1.4401/1.4404	Leakage class	IV	Seat facing	Metal	Packing	Standard type: packing material: PTFE, packing spring material: 1.4310	Plug pressure balancing	Without	Noise reduction	Without	
K100077627	32 to 50	16	20		x					x		x			x	x			x	x		x				x	x	x	x	x	x	x	x	x	x
K100077628	40 to 50	25	30		x							x			x	x			x	x		x				x	x	x	x	x	x	x	x	x	x
K100077629	65 to 80	100	120		x							x			x	x			x	x		x				x	x	x	x	x	x	x	x	x	x
K100077664	100	160	190		x							x			x	x			x	x		x				x	x	x	x	x	x	x	x	x	x
K100077665	15 to 25	4	5		x							x			x	x			x	x		x				x	x	x	x	x	x	x	x	x	x
K100077666	15 to 25	6.3	7.5		x							x			x	x			x	x		x				x	x	x	x	x	x	x	x	x	x
K100077667	15 to 25	10	12		x							x			x	x			x	x		x				x	x	x	x	x	x	x	x	x	x
K100077668	15 to 25	10	12		x							x			x	x			x	x		x				x	x	x	x	x	x	x	x	x	x
K100077669	32 ... 50	16	20		x							x			x	x			x	x		x				x	x	x	x	x	x	x	x	x	x
K100077670	40 ... 50	25	30		x							x			x	x			x	x		x				x	x	x	x	x	x	x	x	x	x
K100077671	40 ... 50	25	30		x							x			x	x			x	x		x				x	x	x	x	x	x	x	x	x	x
K100077672	50	35	40		x							x			x	x			x	x		x				x	x	x	x	x	x	x	x	x	x
K100077673	50	35	40		x							x			x	x			x	x		x				x	x	x	x	x	x	x	x	x	x