

Steripur 397

Manual Valve DN 8 - 20 mm (3/8" - 3/4")



Features

- Stainless steel bonnet and hand wheel
- Autoclavable
- Rising hand wheel
- Sealed bonnet with optical indicator
- Adjustable internal travel stop
- CDSA sealing concept, see page 32
- Flexible diaphragm suspension
- Encapsulated diaphragm

Optional

- Locking device

Technical Data

Control function: Manually operated
 Max. working pressure: 10 bar (150 psi)

Max. working temperature: 160°C (320°F)
 dependent on application

Diaphragm material: EPDM or PTFE
 Body material: Forged 1.4435/ 316L ASME/BPE
 Investment cast 1.4435/ 316L
 Other Alloys

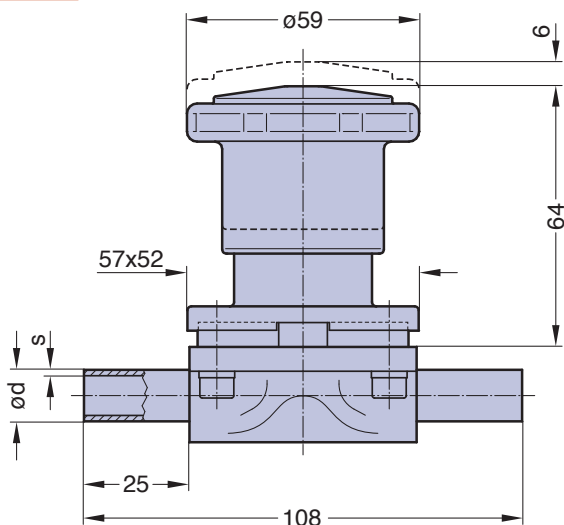
End connection: Butt weld ends see fold out page 21
 Clamps and flanges see page 22 to 24
 Special ends

Bonnets suitable for: Two-Way bodies / Welded configurations
 T- bodies / Multiport bodies
 Tank bottom bodies

Flow rate: Kv in m³/h (Cv in GPM) see page 9
 Diaphragm size: MA 10
 Weight: ca. 0,8 kg

Technical data also valid for multiport valve.

Butt weld ends
 MA 10
 Fold out page 21



Valve type overview see page 26 and 27.
 Ordering key see page 66 to 68.