

Thermostats

Frost Protection Thermostat Type 5312-2



Application

The frost protection thermostat is used to monitor the temperature in air ducts containing non-corrosive gases.



Type 5312-2 Frost Protection Thermostat

- Temperature monitor (TM) with double-throw switch and automatic reset
- Set point can be adjusted at the adjustment screw when the housing is closed
- Set point range -10 to $+12$ °C
- Capillary made of copper, filled with gas, approx. 6 m in length, sensitive along the entire length of the capillary
- A broken capillary is indicated by the temperature falling below the set point

Principle of operation

The double-throw switch is triggered if the temperature at the sensor rises above the adjusted set point. When the temperature falls below the set point, the switch is automatically reset.

Ordering text

Type 5312-2 Frost Protection Thermostat
Optional set of mounting brackets (6 pcs.)

Also available (see Data Sheet T 5206 EN):

- Type 5343 Safety Temperature Monitor (STM)
- Type 5344 Temperature Regulator (TR)
- Type 5345 Safety Temperature Limiter (STL)
- Type 5347 Double Thermostat TR/STL
- Type 5348 Double Thermostat TR/STM
- Type 5349 Double Thermostat STM/STL



Fig. 1: Type 5312-2 Frost Protection Thermostat

Technical data

Type	5312-2
Set point range	-10 to +12 °C
Function	Temperature monitor (TM)
Sensor	Copper capillary, approx. 6 m in length, already sensitive in partial ranges of approx. 0.3 m, filled with gas
Switching differential	Approx. 1 K
Temperature	
Medium	Max. +200 °C
Housing	-15 to +55 °C, at least as high as the adjusted set point
Switching element	Microswitch, 1 changeover contact
Contact rating	
At 24 to 250 V~	15 (8) A with resistive load 2 A with $\cos \varphi = 0.6$
At 24 V~	Min. 150 mA
Housing	Sheet steel, degree of protection IP 40 acc. to EN 60529

Mounting

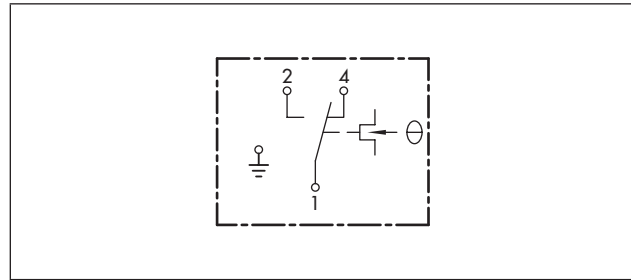
Wall mounting

Mount the housing as close to the point of measurement as possible since the capillary is sensitive along its entire length.

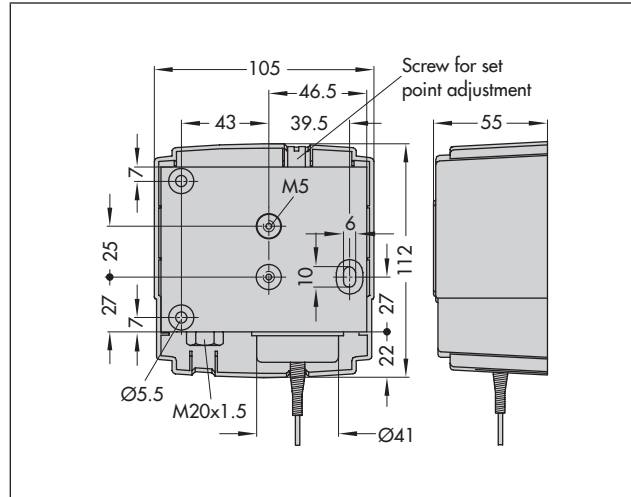
Mounting position

The thermostat may be installed in any position.

Electrical connection



Dimensions in mm



Specifications subject to change without notice.



SAMSON AG · MESS- UND REGELTECHNIK
 Weismüllerstraße 3 · 60314 Frankfurt am Main · Germany
 Phone: +49 69 4009-0 · Fax: +49 69 4009-1507
 Internet: <http://www.samson.de>

T 5207

2012-06-05