

## T 6611-2 EN

### TROVIS 6611-2 Control and Automation Unit

TROVIS 6600 Automation System



#### Application

Freely programmable control and automation unit for operation and management of up to 32 I/O modules

#### Special features

Max. number of units


Modules

- 32x I/O module (TROVIS 6620, 6625, 6630 or 6640) per TROVIS 6611-2
- 32x TROVIS 6611-2 per application (graphical project management tool)

#### Design and principle of operation

TROVIS 6611-2 is a freely programmable control and automation unit for autonomous operation and management of 32 I/O modules (up to 640 physical data points) for panel mounting. It has an integrated color touch screen for visualization. The SAMSON Graphical Project Management tool is required to create applications.

#### Operation

The touch screen is the main operating element. Tap the  menu button in the top right-hand corner of the screen to open various levels.

The reset and user keys are located on the back of the device (see Fig. 3).

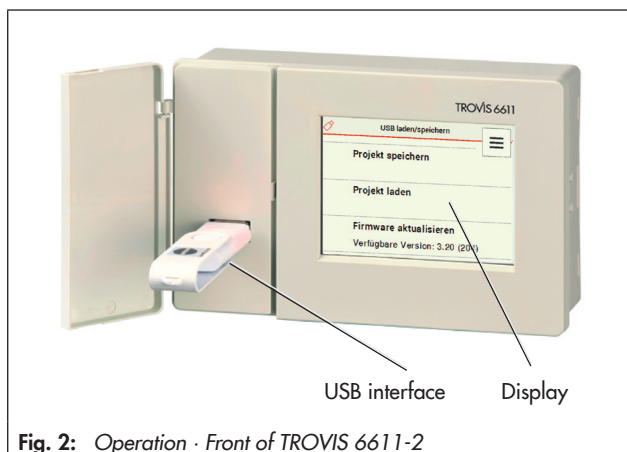


Fig. 2: Operation · Front of TROVIS 6611-2



Fig. 1: TROVIS 6611-2 Control and Automation Unit

Legend for Fig. 3

- 1 Jumper for RS-485 configuration
- 2 Reset key for restart
- 3 User key

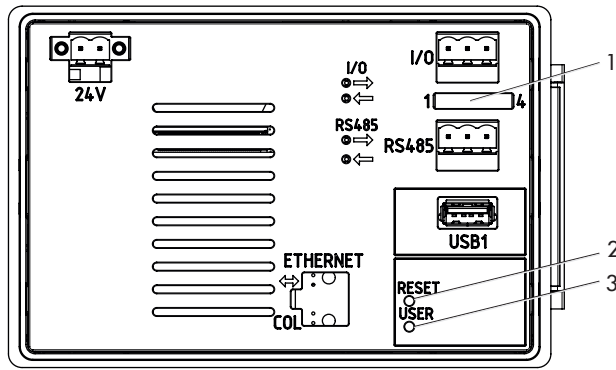


Fig. 3: Operation · Back of TROVIS 6611-2

Electrical connection

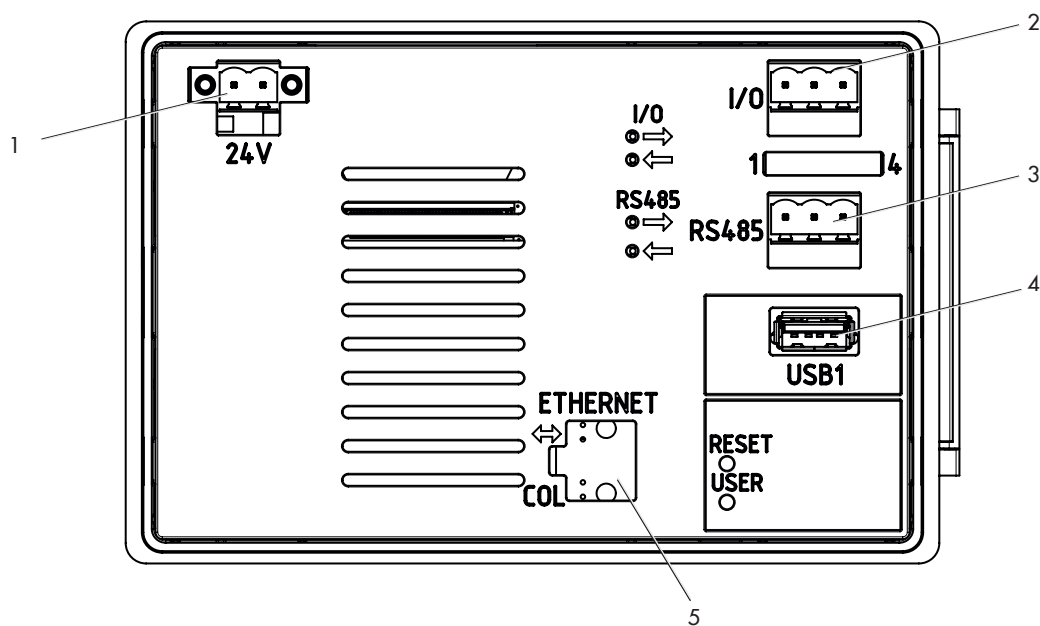


Fig. 4: Electrical connection

Legend for Fig. 4

- 1 Supply voltage (reverse polarity protection)
- 2 I/O bus (physical inputs on the input/output modules)
- 3 Modbus (RS-485 2W)
- 4 USB
- 5 Ethernet

## Technical data

Electrical connection	
Supply voltage	24 V AC and DC
Power consumption	8 VA/W
Connection	2-pin screw clamp terminal (orange)
Wire cross-section	Up to 1.5 mm <sup>2</sup>
Permissible ambient conditions	
Operating temperature	0 to 55 °C
Transportation and storage temperature	-20 to +70 °C
Relative humidity	5 to 95 %, no dew formation
Electromagnetic compatibility	
Noise emission	According to EN 61000-6-3
Noise immunity	According to EN 61000-6-2
Device safety	
Class of protection	II according to DIN EN 61140
Overvoltage category	II according to DIN EN 60664-1
Pollution degree	2 according to DIN EN 60664-1
Degree of protection	IP 41 according to IEC 60529 (with seal for panel mounting)
Conformity	<b>CE</b>
Display	
Key figures	3.5" QVGA, resistive touch screen
Resolution	320 x 240 pixel
Interfaces	
Serial interfaces	1x RS-485 I/O bus (3-pin screw clamp terminal), e.g. for Modbus RTU 1x RS-485 I/O bus (3-pin screw clamp terminal) for TROVIS 6620-1
Ethernet	1x RJ-45 10/100 Mbit
USB	2x USB 2.0 A, (FAT32)
Others	
Supported protocols	Modbus RTU, Modbus TCP, BACnet IP (AMEV Profile AS-A, AS-B), OPC-UA, MQTT
Weight	Approx. 0.4 kg

## Dimensions

Panel cut-out: 138 x 92  
Mounting depth: ≥80

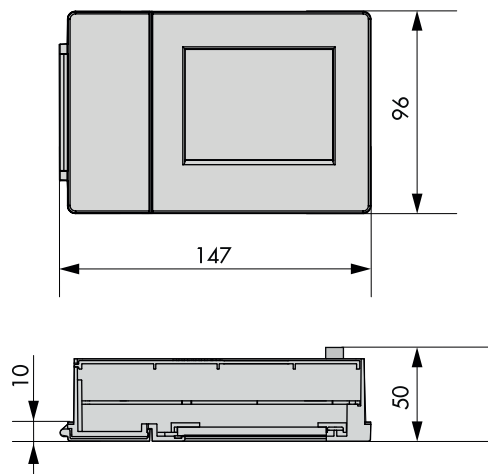


Fig. 5: Dimensions in mm

## Accessories

Terminal and installation set (included in the scope of delivery)	Order no. 1402-1561
TROVIS 6620-1 I/O Module	Configuration ID: 4829008
TROVIS 6625 Input Module <sup>1)</sup>	Configuration ID: 2649861
TROVIS 6630 AO Module	Configuration ID: 3714719
TROVIS 6640 AI Module	Configuration ID: 3714720
Room panel depending on application	On request
TROVIS 6690 Graphical Project Management Tool (demo version)	Configuration ID: 3004922
TROVIS 6690 Graphical Project Management Tool (1 AS version)	Configuration ID: 3004921
TROVIS 6690 Graphical Project Management Tool (3 AS version)	Configuration ID: 3004920
TROVIS 6690 Graphical Project Management Tool (full version)	Configuration ID: 2039168

<sup>1)</sup> Only with 24 V AC power supply

## Ordering text

TROVIS 6611-2 Control and Automation Unit

### Associated Mounting and Operating Instructions

– TROVIS 6611-2 Control and Automation Unit

► **EB 6611-2**