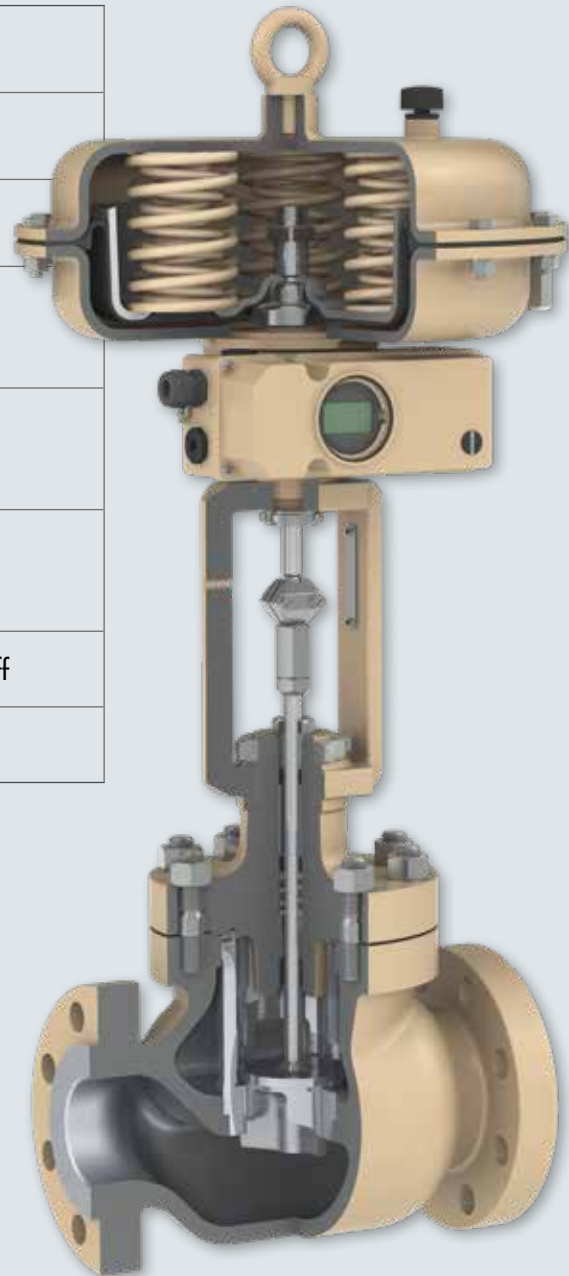


New Control Solution with Proven Parts



Valve sizes	NPS ½ to 8 (other valve sizes on request)
Pressure rating	Class 150 to 900 (further versions on request)
Temperature range	-198 to 450 °C -325 to 842 °F
Materials	A 352 LCC, A 216 WCC, A 217 WC6, A 351 CF3M, A 351 CF8M
End connections	Flanges: all ANSI versions Welding ends: according to ANSI B16.25
Seat-plug seal	Metal seal, soft seal or high-performance metal seal (leakage class IV to VI)
Characteristic	Equal percentage, linear or on/off
Rangeability	50 : 1



SAMSON AKTIENGESELLSCHAFT

Weismuellerstrasse 3 · 60314 Frankfurt am Main, Germany
Phone: +49 69 4009-0 · Fax: +49 69 4009-1507
E-mail: samson@samsongroup.com
Internet: www.samsongroup.com

SMART IN FLOW CONTROL