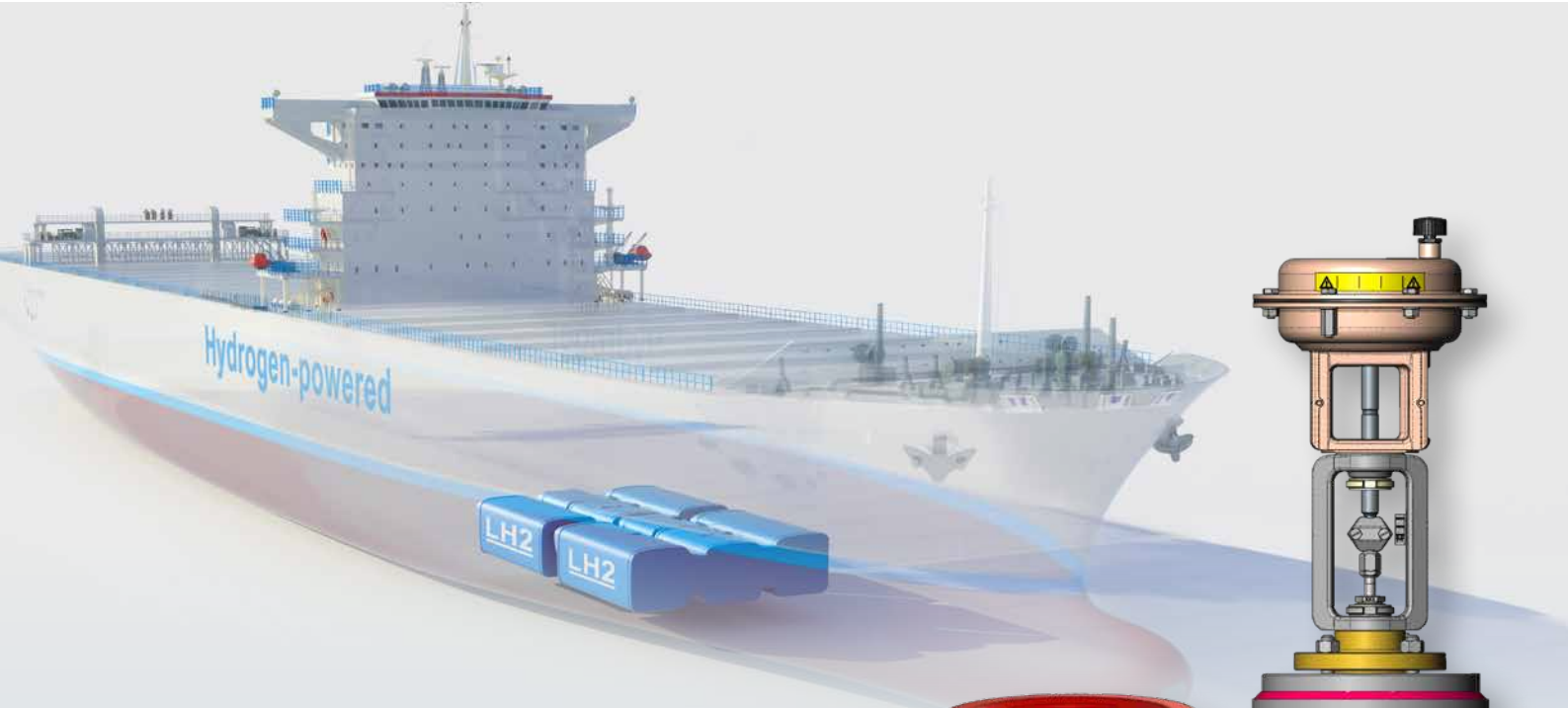


HYDROGEN VALUE CHAIN

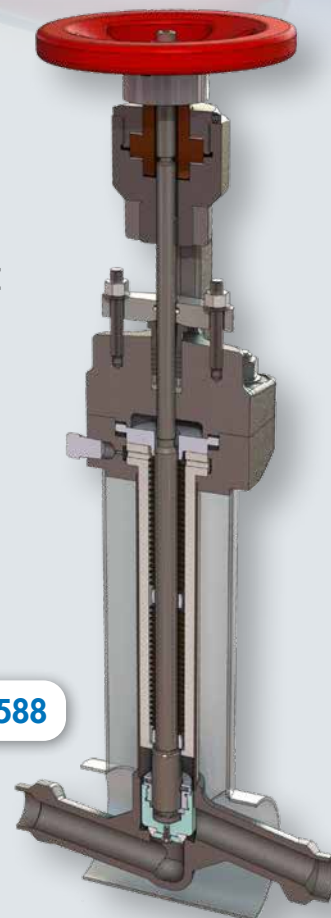
SAMSON



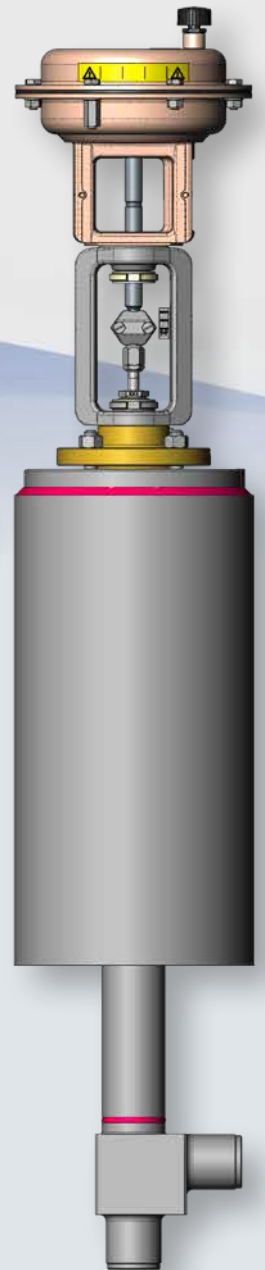
SAMSON's Liquefied Hydrogen Portfolio for Control and On/off Applications

- Designed for vacuum cryogenic processes down to $-253\text{ }^{\circ}\text{C}$
- Forged block body version with bellows seal
- Engineered and approved according to local regulations

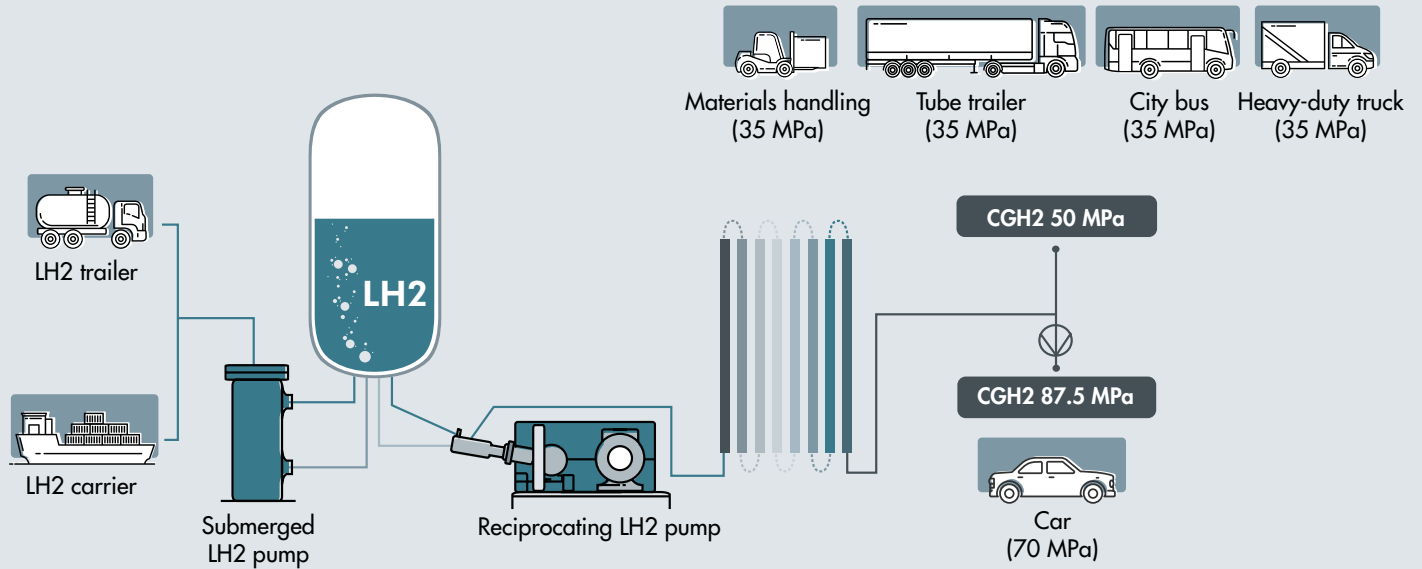
Type 3588



Type 3248



HYDROGEN VALUE CHAIN



Customer requirements	Challenges	Solutions
Material resistance for hydrogen applications down to $-253\text{ }^{\circ}\text{C}$	Strict requirements on materials and technology	Tested and approved designs for throttling (Type 3248) and on/off (Type 3588) service
Improved efficiency	Considerable difference between operating and ambient temperatures	Bellows seal, vacuum jacket and vacuum sleeve to prevent fugitive emissions and ensure thermal efficiency
Suitable for universal use	Different climatic conditions and country-specific laws and regulations	Valves available in different designs and made of different materials

SAMSON AKTIENGESELLSCHAFT

Weismuellerstrasse 3 · 60314 Frankfurt am Main, Germany
 Phone: +49 69 4009-0 · Fax: +49 69 4009-1507
 E-mail: samson@samsongroup.com
 Internet: www.samsongroup.com